

Standard fluid transfer assemblies

Modular connectivity enabling greater efficiency

Fluid transfer assembly products can help with time and cost efficiencies

Our newest standard fluid transfer assembly products connect to Thermo Scientific™ Labtainer™ BioProcess Containers (BPCs), Productainer™ BPCs, single-use bioreactors, mixers, and fermentors right on your production shop floor. Our standard fluid transfer assemblies are delivered ready to use, helping to reduce your product supply cost and lead times.

One set of stocked products for most upstream and downstream process operations

Our standard fluid transfer assemblies allow you to reduce the number of customized stock keeping units (SKUs), helping to save costs, simplifying the product ordering process, and helping to reduce your product storage requirements.

Connect to our catalog BPCs, single-use mixers, fermentors, and bioreactors

Use our interconnectable standard single-use products for most of your process needs, including:

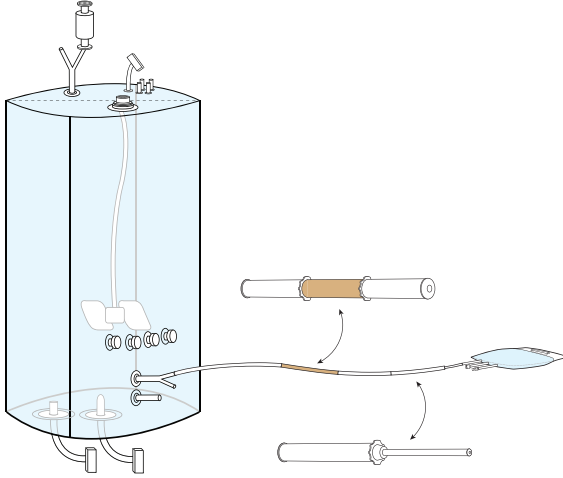
- Media and supplement preparation and storage
- Bioreactor or fermentor feed
- Bioreactor or fermentor harvest and storage
- Purification buffer preparation
- Waste collection
- Bulk drug storage and transport
- Sample collection from bioreactors or fermentors
- Culture media preparation and storage
- Process liquid preparation and storage
- Chromatography feed and fraction collection



Now with ultimate
connection protection
thermofisher.com/biotitan

Workflow applications

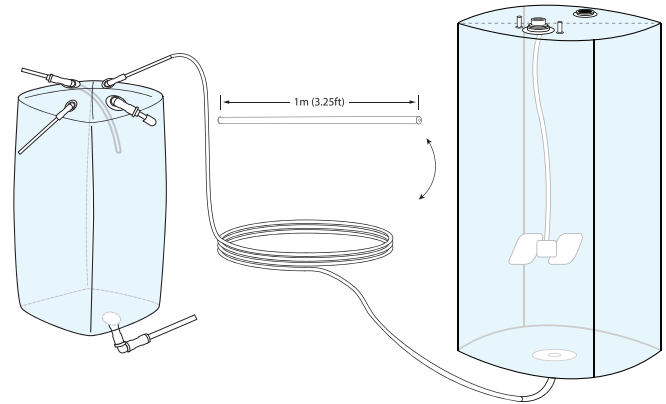
Fluid transfer assemblies are the fundamental tools that deliver maximal impact across the workflow. The extension set, adaptor set, Y set, and pump set facilitate the essential tasks of fluid transfer and, when used in combination with one another, give users the power to easily complete many common bioprocessing operations. A selection of applications utilizing fluid transfer assemblies are shown below.



Sample collection from single-use bioreactor

Associated products:

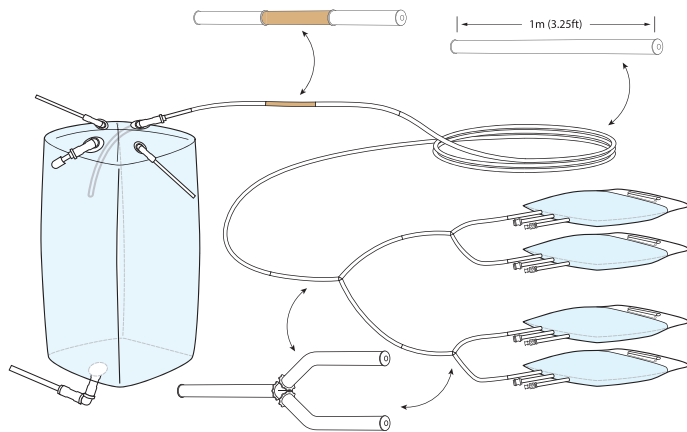
- Single-use bioreactor
- 3D BPC
- 2D BPC
- Pump and adaptor sets



Process liquid prep and storage

Associated products:

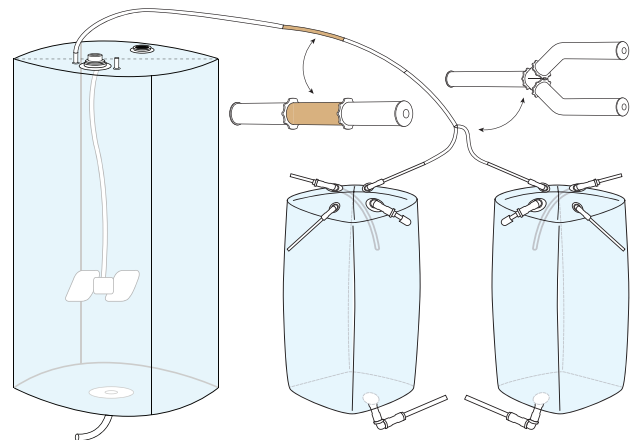
- Single-use mixer
- 3D BPC
- Extension set



Media and supplement prep and storage

Associated products:

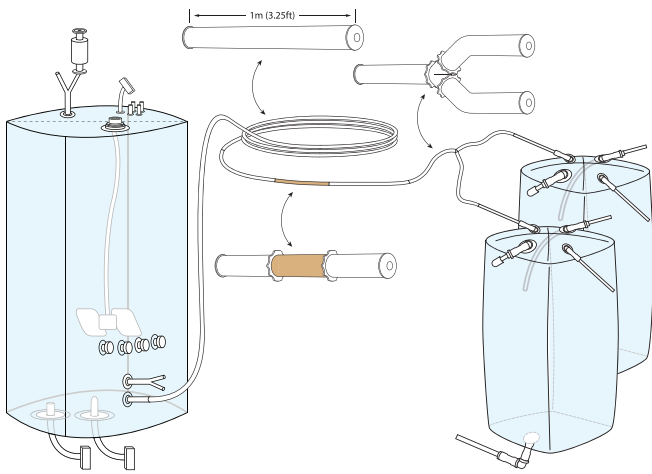
- 3D BPC
- 2D BPC
- Pump, Y, and extension sets



Culture media prep and storage

Associated products:

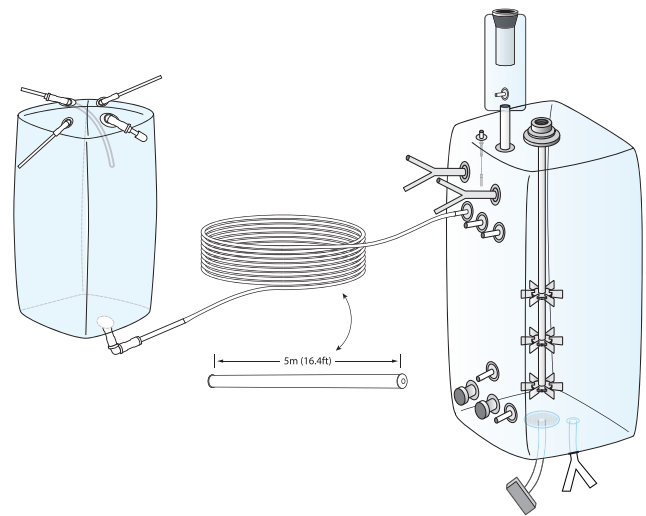
- 3D BPC
- Pump and Y sets



Single-use bioreactor for harvest and storage

Associated products:

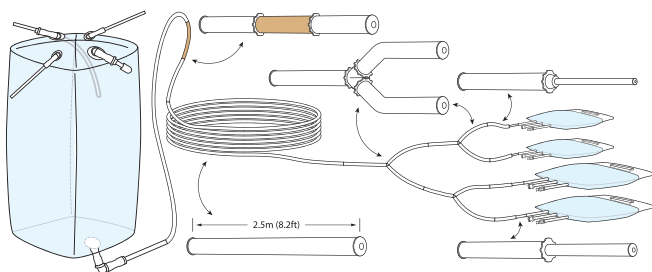
- Single-use bioreactor
- 3D BPC
- Pump, Y, and extension sets



Single-use fermentor feed

Associated products:

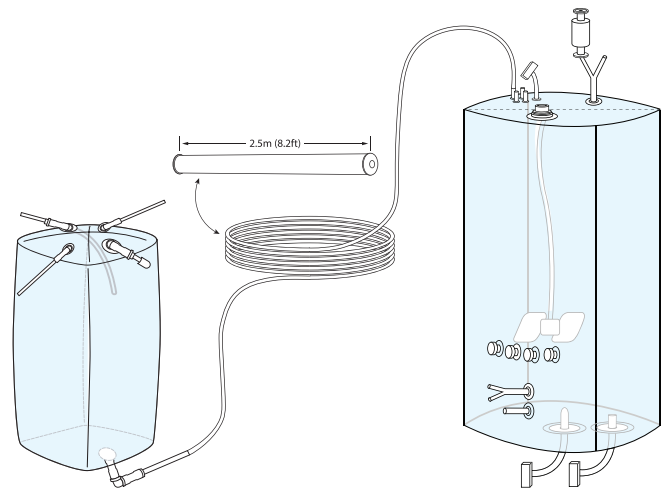
- Single-use fermentor
- 3D BPC
- Extension set



Bulk drug storage and transport

Associated products:

- 3D BPC
- 2D BPC
- Pump, Y, and extension sets



Single-use bioreactor feed

Associated products:

- Single-use bioreactor
- 3D BPC
- Extension set



High quality at catalog product prices

Our single-use products use fit-for-purpose components sourced only from approved suppliers.

The Thermo Scientific™ standard single-use products are characterized using ISO, USP, EP, and ASTM test methods to provide superior performance on the shop floor.

All Thermo Scientific™ BPC products are produced and assembled under cGMP conditions in ISO 7 clean areas, which helps ensure a high level of product quality and full lot traceability.

Leveraging a global single-use manufacturing network

End users enjoy the assurance of redundant product supply—minimizing concerns about production shutdown from supply shortages. Whether you are producing veterinary or human vaccines, standard single-use products are designed to fit your process operations.

Ordering information

Contact your local sales representative to place an order or to get more information, including our customization options and rapid prototype BioProduction Xpress service (BPX).

Extension sets

- Single length of C-Flex™ tubing to connect separate vessels, BPCs, or other single-use accessories
- Available in multiple lengths and can be combined to bridge additional distances



Tubing size	Tubing length	End connections	Cat. No.
Extension sets with Thermo Scientific™ BioTitan™ Retention Device			
3.2 mm (1/8 in.) ID, 1.6 mm (1/16 in.) wall, C-Flex 374	1 m (3.25 ft)	Capped— for welders	SH31269.01
3.2 mm (1/8 in.) ID, 1.6 mm (1/16 in.) wall, C-Flex 374	2.5 m (8.2 ft)	Capped— for welders	SH31269.02
3.2 mm (1/8 in.) ID, 1.6 mm (1/16 in.) wall, C-Flex 374	5 m (16.4 ft)	Capped— for welders	SH31269.03



Tubing size	Tubing length	End connections	Cat. No.
Extension sets with BioTitan Retention Device			
6.35 mm (1/4 in.) ID, 1.6 mm (1/16 in.) wall, C-Flex 374	1 m (3.25 ft)	Capped— for welders	SH31270.01
6.35 mm (1/4 in.) ID, 1.6 mm (1/16 in.) wall, C-Flex 374	2.5 m (8.2 ft)	Capped— for welders	SH31270.02
6.35 mm (1/4 in.) ID, 1.6 mm (1/16 in.) wall, C-Flex 374	5 m (16.4 ft)	Capped— for welders	SH31270.03
6.35 mm (1/4 in.) ID, 2.4 mm (3/32 in.) wall, C-Flex 374	1 m (3.25 ft)	Capped— for welders	SH31271.01
6.35 mm (1/4 in.) ID, 2.4 mm (3/32 in.) wall, C-Flex 374	2.5 m (8.2 ft)	Capped— for welders	SH31271.02
6.35 mm (1/4 in.) ID, 2.4 mm (3/32 in.) wall, C-Flex 374	5 m (16.4 ft)	Capped— for welders	SH31271.03



Tubing size	Tubing length	End connections	Cat. No.
Extension sets with BioTitan Retention Device			
9.52 mm (3/8 in.) ID, 3.2 mm (1/8 in.) wall, C-Flex 374	1 m (3.25 ft)	Capped— for welders	SH31272.01
9.52 mm (3/8 in.) ID, 3.2 mm (1/8 in.) wall, C-Flex 374	2.5 m (8.2 ft)	Capped— for welders	SH31272.02
9.52 mm (3/8 in.) ID, 3.2 mm (1/8 in.) wall, C-Flex 374	5 m (16.4 ft)	Capped— for welders	SH31272.03



Tubing size	Tubing length	End connections	Cat. No.
Extension sets with BioTitan Retention Device			
12.7 mm (1/2 in.) ID, 3.2 mm (1/8 in.) wall, C-Flex 374	1 m (3.25 ft)	Capped— for welders	SH31273.01
12.7 mm (1/2 in.) ID, 3.2 mm (1/8 in.) wall, C-Flex 374	2.5 m (8.2 ft)	Capped— for welders	SH31273.02
12.7 mm (1/2 in.) ID, 3.2 mm (1/8 in.) wall, C-Flex 374	5 m (16.4 ft)	Capped— for welders	SH31273.03

Adaptor sets

- Two lengths of differing size C-Flex tubing joined in a single length
- Useful for connecting tubing or porting of differing sizes



Tubing size	Tubing length	End connections	Cat. No.
Adaptor sets with BioTitan Retention Device			
3.2 mm (1/8 in.) ID x 1.6 mm (1/16 in.) wall to 6.35 mm (1/4 in.) ID x 1.6 mm (1/16 in.) wall, C-Flex 374	0.5 m (19.7 in.)	Capped— for welders	SH31274.01
3.2 mm (1/8 in.) ID x 1.6 mm (1/16 in.) wall to 6.35 mm (1/4 in.) ID x 2.4 mm (3/32 in.) wall, C-Flex 374	0.5 m (19.7 in.)	Capped— for welders	SH31275.01



Tubing size	Tubing length	End connections	Cat. No.
Adaptor set with BioTitan Retention Device			
3.2 mm (1/8 in.) ID x 1.6 mm (1/16 in.) wall to 9.52 mm (3/8 in.) ID x 3.2 mm (1/8 in.) wall, C-Flex 374	0.5 m (19.7 in.)	Capped— for welders	SH31276.01



Tubing size	Tubing length	End connections	Cat. No.
Adaptor set with BioTitan Retention Device			
6.35 mm (1/4 in.) ID x 1.6 mm (1/16 in.) wall to 9.52 mm (3/8 in.) ID x 3.2 mm (1/8 in.) wall, C-Flex 374	0.5 m (19.7 in.)	Capped— for welders	SH31277.01



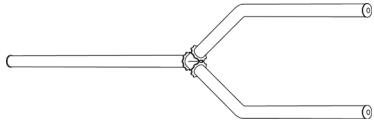
Tubing size	Tubing length	End connections	Cat. No.
Adaptor sets with BioTitan Retention Device			
6.35 mm (1/4 in.) ID x 1.6 mm (1/16 in.) wall to 12.7 mm (1/2 in.) ID x 3.2 mm (1/8 in.) wall, C-Flex 374	0.5 m (19.7 in.)	Capped— for welders	SH31278.01
6.35 mm (1/4 in.) ID x 2.4 mm (3/32 in.) wall to 9.52 mm (3/8 in.) ID x 3.2 mm (1/8 in.) wall, C-Flex 374	0.5 m (19.7 in.)	Capped— for welders	SH31279.01
6.35 mm (1/4 in.) ID x 2.4 mm (3/32 in.) wall to 12.7 mm (1/2 in.) ID x 3.2 mm (1/8 in.) wall, C-Flex 374	0.5 m (19.7 in.)	Capped— for welders	SH31280.01



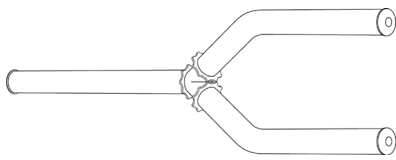
Tubing size	Tubing length	End connections	Cat. No.
Adaptor set with BioTitan Retention Device			
9.52 mm (3/8 in.) ID x 3.2 mm (1/8 in.) wall to 12.7 mm (1/2 in.) ID x 3.2 mm (1/8 in.) wall, C-Flex 374	0.5 m (19.7 in.)	Capped— for welders	SH31281.01

Y sets

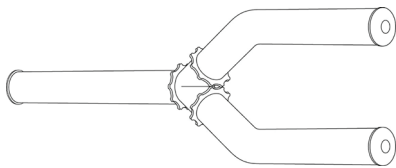
- Three lengths of C-Flex tubing joined by a Y-connector
- Enables user to split one connection into two or combine two connections into one
- Join multiple Y sets to create a branching assembly



Tubing size	Tubing length	End connections	Cat. No.
Y set with BioTitan Retention Device			
3 x 3.2 mm (1/8 in.) ID x 1.6 mm (1/16 in.) wall, C-Flex 374	2 x 0.51 m (20 in.) to 0.51 m (20 in.)	Capped— for welders	SH31282.01



Tubing size	Tubing length	End connections	Cat. No.
Y sets with BioTitan Retention Device			
3 x 6.35 mm (1/4 in.) ID x 1.6 mm (1/16 in.) wall, C-Flex 374	2 x 0.51 m (20 in.) to 0.51 m (20 in.)	Capped— for welders	SH31283.01
3 x 6.35 mm (1/4 in.) ID x 2.4 mm (3/32 in.) wall, C-Flex 374	2 x 0.51 m (20 in.) to 0.51 m (20 in.)	Capped— for welders	SH31284.01



Tubing size	Tubing length	End connections	Cat. No.
Y sets with BioTitan Retention Device			
3 x 9.52 mm (3/8 in.) ID x 3.2 mm (1/8 in.) wall, C-Flex 374	2 x 0.51 m (20 in.) to 0.51 m (20 in.)	Capped— for welders	SH31285.01
3 x 12.7 mm (1/2 in.) ID x 3.2 mm (1/8 in.) wall, C-Flex 374	2 x 0.51 m (20 in.) to 0.51 m (20 in.)	Capped— for welders	SH31286.01

Pump sets

- Two lengths of C-Flex tubing joined by a section of Pharmed™ BPT
- Designed to deliver extended performance when used with a peristaltic pump



Tubing size	Tubing length	End connections	Cat. No.
Pump sets with BioTitan Retention Device			
0.25 m (10 in.) C-Flex 374 to 0.5 m (19.7 in.) Pharmed BPT to 0.25 m (10 in.) C-Flex 374	3.2 mm (1/8 in.) ID x 1.6 mm (1/16 in.) wall	Capped— for welders	SH31287.01
0.25 m (10 in.) C-Flex 374 to 0.5 m (19.7 in.) Pharmed BPT to 0.25 m (10 in.) C-Flex 374	6.35 mm (1/4 in.) ID x 1.6 mm (1/16 in.) wall	Capped— for welders	SH31288.01
0.25 m (10 in.) C-Flex 374 to 0.5 m (19.7 in.) Pharmed BPT to 0.25 m (10 in.) C-Flex 374	6.35 mm (1/4 in.) ID x 2.4 mm (3/32 in.) wall	Capped— for welders	SH31289.01



Tubing size	Tubing length	End connections	Cat. No.
Pump set with BioTitan Retention Device			
0.25 m (10 in.) C-Flex 374 to 0.5 m (19.7 in.) Pharmed BPT to 0.25 m (10 in.) C-Flex 374	9.52 mm (3/8 in.) ID x 3.2 mm (1/8 in.) wall	Capped— for welders	SH31290.01



Tubing size	Tubing length	End connections	Cat. No.
Pump set with BioTitan Retention Device			
0.25 m (10 in.) C-Flex 374 to 0.5 m (19.7 in.) Pharmed BPT to 0.25 m (10 in.) C-Flex 374	12.7 mm (1/2 in.) ID x 3.2 mm (1/8 in.) wall	Capped— for welders	SH31291.01

thermo scientific

Find out more at thermofisher.com/sut

For Research Use or Further Manufacturing. Not for diagnostic use or direct administration into humans or animals.
© 2018, 2021 Thermo Fisher Scientific Inc. All rights reserved. All trademarks are the property of Thermo Fisher Scientific and its subsidiaries unless otherwise specified. C-Flex and Pharmed are trademarks of Saint-Gobain Performance Plastics Corp.
COL34294 0721

ThermoFisher
S C I E N T I F I C