



iQ Series Gas Analyzer Spare Parts Catalog

iQ Series Gas Analyzer Spare Parts Catalog

February 2020

Table of Contents

iQ Series Gas Analyzers Parts Matrix	5
42iQ/42iQLS Measurement Case	6
42iQ/42iQLS Optical Bench DMC	9
42iQ/42iQLS Reaction Chamber Assembly	11
42iQ/42iQLS Ozonator DMC	12
42iQ/42iQLS Converter DMC	13
42iQ/42iQLS Perm Oven DMC	15
42iQ Oxygen Sensor DMC	16
42iQD Measurement Case	17
42iQHL Measurement Case	19
42iQTL Measurement Case	21
43iQ Measurement Case	23
43iQ Optical Bench DMC	25
43iQ Optical Bench Assembly	26
43iQ Reaction Chamber Assembly	27
43iQ PMT Housing Assembly	28
43iQ Detector Assembly	29
43iQ Perm Oven DMC	30
43iQTL Measurement Case	31
48iQ Measurement Case	33
48iQ Optical Bench DMC	35
48iQ Optical Bench Assembly	36
48iQ Motor Assembly	38
48iQTL Measurement Case	39
410iQ Measurement Case	41
410iQ Optical Bench DMC	43
410iQ Motor Assembly	44

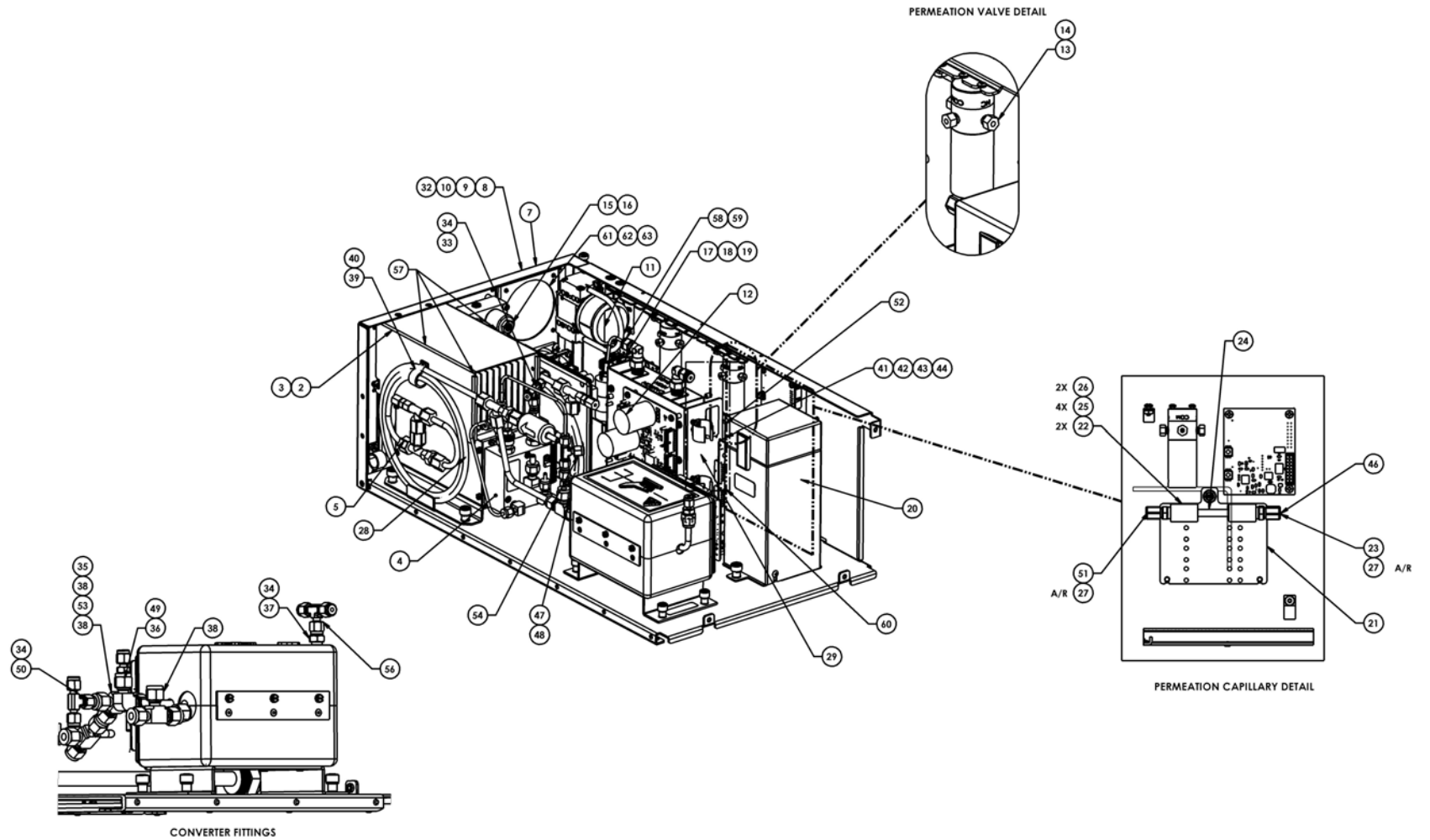
450iQ Measurement Case46
49iQ Measurement Case48
49iQ/49iQPS Photometer DMC50
49iQ/49iQPS Ozonator.....52
49iQPS Measurement Case53
146iQ Measurement Case55
146iQ Mass Flow Controller58
146iQ Ozonator DMC.....59
146iQ Photometer DMC60
111iQ62
111iQ Scrubber Assembly64

iQ Series Gas Analyzer Parts Matrix

The following table provides the iQ Series Gas Analyzer Parts Matrix:

iQ Series Parts Matrix		All models are included					
P/N	Description	42iQ	43iQ	48iQ	410iQ	49iQ	146iQ
113371-90	ASSY, PCB, TESTED SCB	X	X	X	X	X	X
113844-00	PCB ASSEMBLY, iQ PSB BD	X	X	X	X	X	X
115603-00	PCB ASSEMBLY, BACKPLANE BOARD	X	X	X	X	X	X
115482-90	PCB ASSEMBLY, ANALOG USER IO	X	X	X	X	X	X
118961-90	PCB ASSEMBLY, DIGITAL USER IO	X	X	X	X	X	X
115484-90	PCB ASSY REAR CONNECTOR BD	X	X	X	X	X	X
115360-00	DISPLAY, 24 BIT, WINSTAR	X	X	X	X	X	X
114984-00	PCBA, 24 BIT DISPLAY	X	X	X	X	X	X
113458-00	PCB ASSY FRONT PANEL USB BD	X	X	X	X	X	X
114664-00	PCB ASSY, STEP MODULE 2 BOARD	X	X	X	X	X	X
115380-00	ASSY, CABLE, USB	X	X	X	X	X	X
116127-00	ASSY, CABLE, SWITCH	X	X	X	X	X	X
116134-00	ASSY, LED, PANEL MNT, BI-COLOR	X	X	X	X	X	X
114835-00	EAR, RACK	X	X	X	X	X	X
115762-00	FOOT, INSTRUMENT, W/SCREW, .79DIA	X	X	X	X	X	X
117872-00	ELEM, FLITER, 80MM, 30PPI, 5/PKG	X	X	X	X	X	X
116579-00	PLUG, 1/2" HOLE, 1/16 PANEL, BLK	X	X	X	X	X	X
114844-00	COVER, INSTRUMENT	X	X	X	X	X	X
115635-02	ASSY, POWER SUPPLY, 24/48VDC	X	X	X	X		
115635-01	ASSY, POWER SUPPLY, 24VDC					X	X
117097-00	PUMP, VACUUM, 24VDC, DUAL	X					
116584-00	PUMP, VACUUM, 24VDC, SINGLE		X	X	X	X	X
117615-00	Pump Rebuild Kit (single)		X	X	X	X	X
117877-00	Pump Rebuild Kit (dual)	X					
118965-00	I/O Connector Kit	X	X	X	X	X	X
116752-00	Cooling Fan	X	X	X	X	X	X
102701-00	Particulate Filter Holder	X	X	X	X	X	X
4320	Particulate Filters	X	X	X	X	X	X

42iQ/42iQLS Measurement Case



42iQ Spares Kit

	Part Number	Description
GA 42iQ Spares Kits	117864-00	42iQ Consumable Kit
		Includes
	117877-00	2 x Pump Rebuild Kit
	4119	1 x Capillary, 8 Mil
	4127	1 x Capillary, 15 Mil
	9212	1 x Capillary O-Rings (10/pk)
	117872-00	1 x Fan Filter(5/pk)

42iQLS Spares Kit

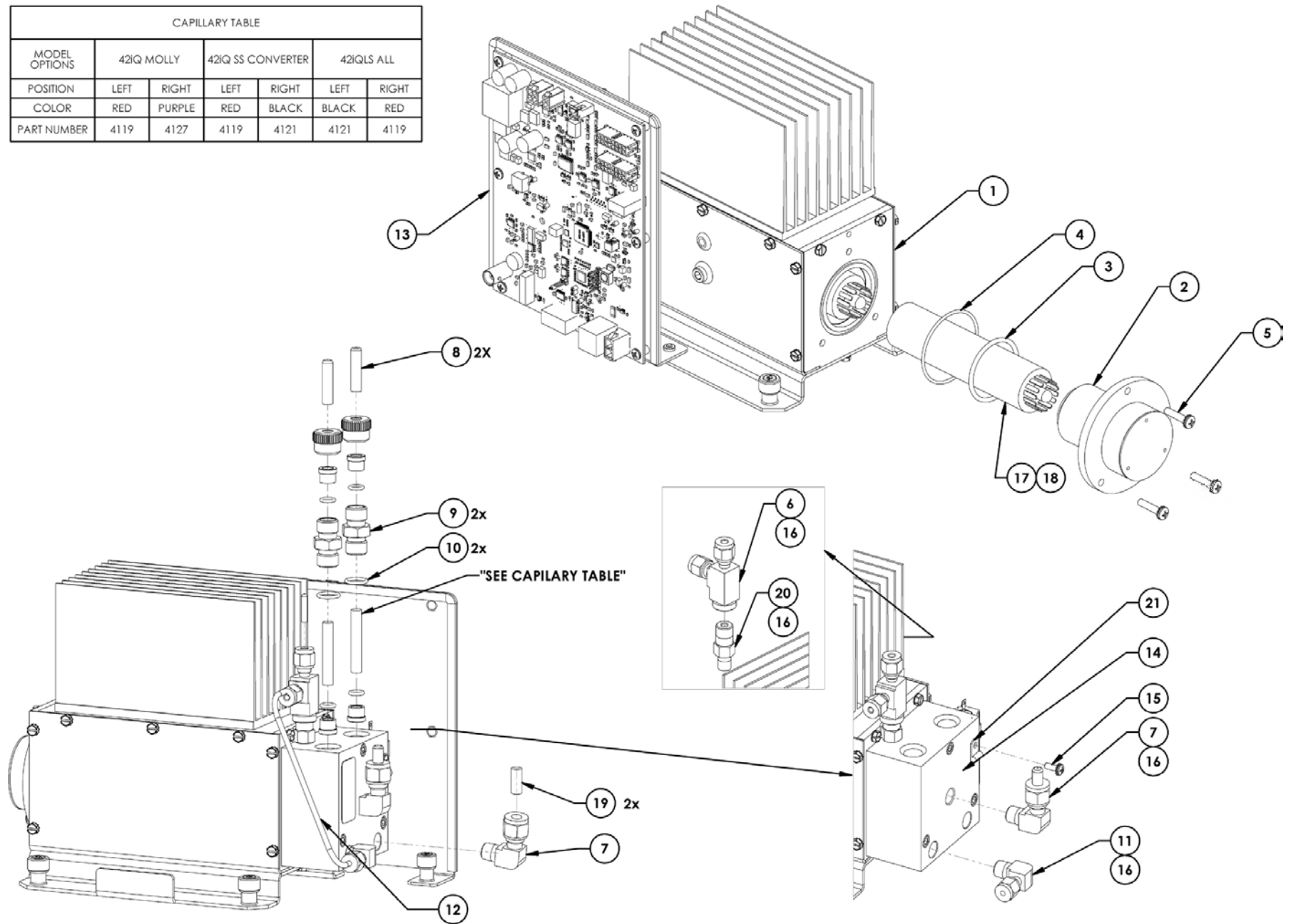
	Part Number	Description
GA 42iQLS Spares Kits	117865-00	42iQLS Consumable Kit
		Includes
	117877-00	2 x Pump Rebuild Kit
	4119	1 x Capillary, 8 Mil
	4121	1 x Capillary, 10 Mil
	9212	1 x Capillary O-Rings (10/pk)
	101680-00	1 x Ammonia Scrubber
	117872-00	1 x Fan Filter (5/pk)

42iQ/42iQLS Measurement Case

Item	Description	P/N	Qty	Component
24	CAPILLARY, 1.5"LG, .005 BORE, YEL	4113	1	Consumable
4	ASSY, PMT COOLER, W/ PMT (Moly Converter)	117272-01	1	Spare Part
5	PERMEATION DRYER ASSEMBLY	113982-00	1	Spare Part
7	PLUG, 1/2" HOLE, 1/16 PANEL, METAL	116579-00	10	Spare Part
8	FITTING, BULKHEAD, 1/4 TUBE, 1/8 BARB, SS	116774-00	1	Spare Part
11	PUMP, Double-head	117097-00	1	Spare Part
12	OZONATOR DMC	117100-00	1	Spare Part
13	ASSY, FITTING, SOLENOID	117207-00	2	Spare Part
17	ASSY, PCB, STEP POL	114664-00	2	Spare Part
18	CABLE ASSY, STEP POL, POWER, 3"	116522-03	1	Spare Part
19	CABLE ASSY, STEP POL, SIGNAL, 3"	116523-03	1	Spare part
22	BLOCK, ADAPTER, CAPILLARY TUBE	116051-02	2	Spare Part
23	FITTING, MALE CONN, 1/8 NPT X 1/8 BARB, PVDF	116651-00	2	Spare Part
29	ASSY, SCRUBBER, AMMONIA (not shown)	101680-00	1	Spare Part
32	FITTING, BULKHEAD, REDUCER, 1/4T, 1/8T, SS	32-007185	1	Spare Part
33	FITTING, PORT CONN, 1/8T, SS	32-011182	2	Spare Part
34	FITTING, TEE, UNION, 1/8T, SS	32-011183	3	Spare Part
35	FTG, ADPT, 1/4 TUBE X 1/8 HOSE, SS	117199-00	1	Spare Part
36	FITTING, ELBOW, UNION, 1/4T OD, SS	2049.579	1	Spare Part
37	FITTING, REDUCER, 1/4T OD, 1/8T OD, SS	117384-00	1	Spare Part
38	FITTING, TEE, 1/4T, SS	32-002983	1	Spare Part
41	CABLE, ASSY, DMC, 12"	114675-12	1	Spare Part
42	CABLE, ASSY, DMC, 15"	114675-15	1	Spare Part
43	CABLE, ASSY, DMC, 24"	114675-24	1	Spare Part
44	CABLE, ASSY, DMC, 5"	114675-05	1	Spare Part
46	HOSE, SILICONE, CLEAR, 2MM ID X 2MM WALL	32-008043-0002	A/R	Spare Part
47	TUBING, 1/4, SS (CONVERT TO PMT)	117399-00	1	Spare Part
48	TUBING, 1/8, SS (CONVERT TO DRYER)	117400-00	1	Spare Part
49	FITTING, REDUCER, 1/4 STEM, 1/8 T, SS	117344-00	2	Spare Part
51	FITTING, CONNECTOR, 1/8T OD, 1/8 NPT, KYNAR	10040	1	Spare Part
52	FITTING, Y CONN, 3 X 1/8 BARB, PVDF	116653-00	1	Spare Part
54	FTG, CROSS, 1/8T, SS	117412-00	1	Spare Part
58	TUBING, SILASTIC	5500	1	Spare Part
61	ASSY, FAN, IQ REAR PANEL	116752-00	2	Spare Part
62	ELEM, FILTER, 80MM, 30PPI, 5/PKG	117872-00	1	Spare Part
63	PANEL, FAN, BLANK	116472-00	2	Spare Part
15	ASSY, VALVE MANIFOLD, ZERO-SPAN, SS	119987-00	1	Optional
20	ASSY, PERMEATION OVEN, IQ	114741-00	1	Optional
2	SCREW, MACHINE, FLAT HEAD, PHILLIPS, #6-32, 1/4, SS	21-004277-0004	2	Not Sellable
3	SHROUD, PMT, 42IQ	116633-00	1	Not Sellable
4	ASSY, PMT COOLER, W/ PMT (SS Converter)	117272-06	1	Not Sellable
9	WASHER, FLAT, 7/16, ALUM, MIL SPEC	116953-00	2	Not Sellable
10	CLAMP, HOSE, Ø.228-.256	117128-00	1	Not Sellable
14	Screw, Machine, PAN Head, Phillips, Full THD, #4-40, 3/8, SS	21-003720-0006	2	Not Sellable
16	SCREW, CAP, SOCKET HEAD, PARTIAL THREAD, #8-32, 1.25, SS	21-000826-0020	2	Not Sellable
21	PLATE, CAPILLIARY	117116-00	1	Not Sellable
25	SCREW, CAP, SOCKET HEAD, FULL THREAD, #6-32, 3/8, SS	21-006265-0006	2	Not Sellable
26	O-RING, 1/4 ID, 3/8 OD, VITON	22-000485-3010	2	Not Sellable
27	TAPE, SEALANT, PIPE THREAD, 1/4 WIDE, .0035 THICK	5766	A/R	Not Sellable
28	PERMEATION DRYER ASSEMBLY	118190-00	1	Not Sellable
39	CABLE HOLDER, 5/8, FASTENER MOUNT, FLEXIBLE J LOOP	117140-00	1	Not Sellable
40	NUT, LOCK, HEX, TOOTH WASHER, COARSE THREAD, #6-32, SS	21-004542	1	Not Sellable
50	FTG, PORT CONN, REDUCE, 1/4T X 1/8T, SS	117417-00	1	Not Sellable
53	FTG, PORT CONN, REDUCER, 1/4T, SS	117411-00	1	Not Sellable
56	FITTING, UNION, REDUCER, 1/4T, 1/8T, SS	32-004852	1	Not Sellable
57	GROMMET, EDGING .062~-099~ PANEL THK BLAC	6-5250-824	2	Not Sellable
59	TIE, CABLE, NYLON, 4"	5385	1	Not Sellable
60	TUBING, TEFLON, 1/4OD, 1/8ID, PUMP TO CONVERTER	118332-00	1	Not Sellable

42iQ Optical Bench DMC (Std) 117272-01-EXCH (LS) 117272-04-EXCH

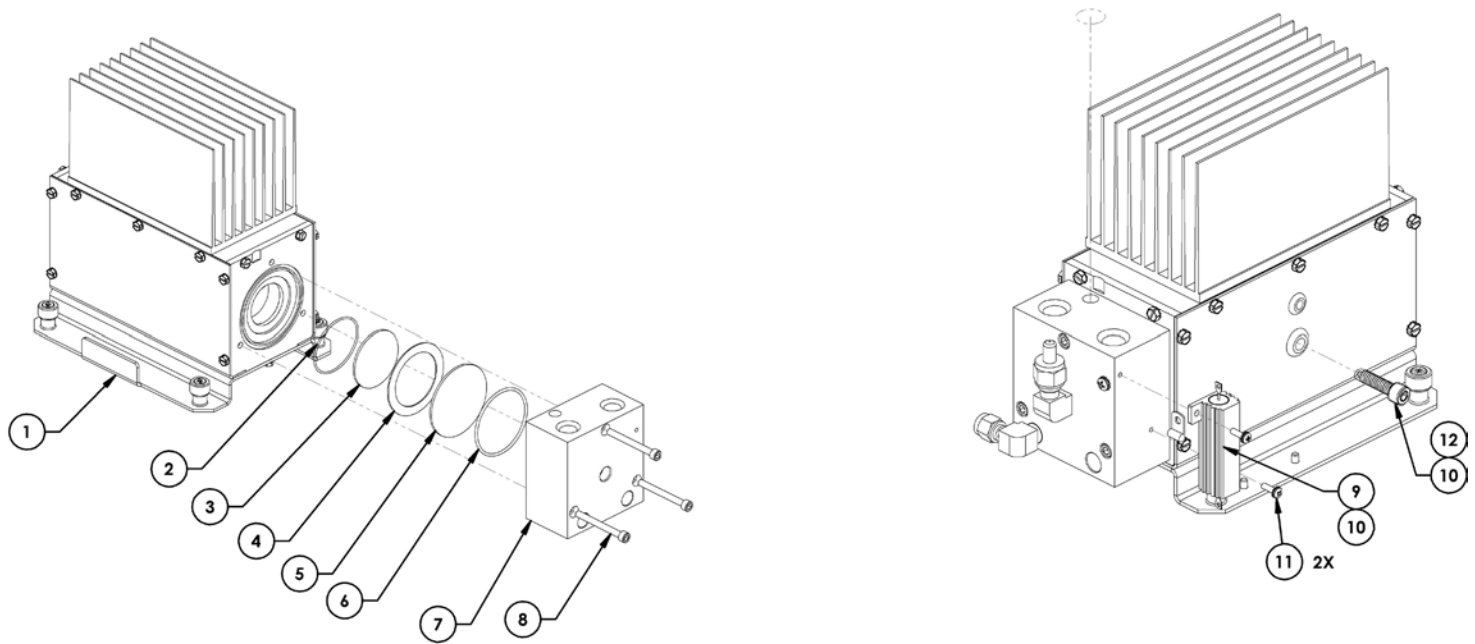
CAPILLARY TABLE						
MODEL OPTIONS	42iQ MOLLY		42iQ SS CONVERTER		42iQLS ALL	
	LEFT	RIGHT	LEFT	RIGHT	LEFT	RIGHT
POSITION	LEFT	RIGHT	LEFT	RIGHT	LEFT	RIGHT
COLOR	RED	PURPLE	RED	BLACK	BLACK	RED
PART NUMBER	4119	4127	4119	4121	4121	4119



42iQ/42iQLS Optical Bench DMC

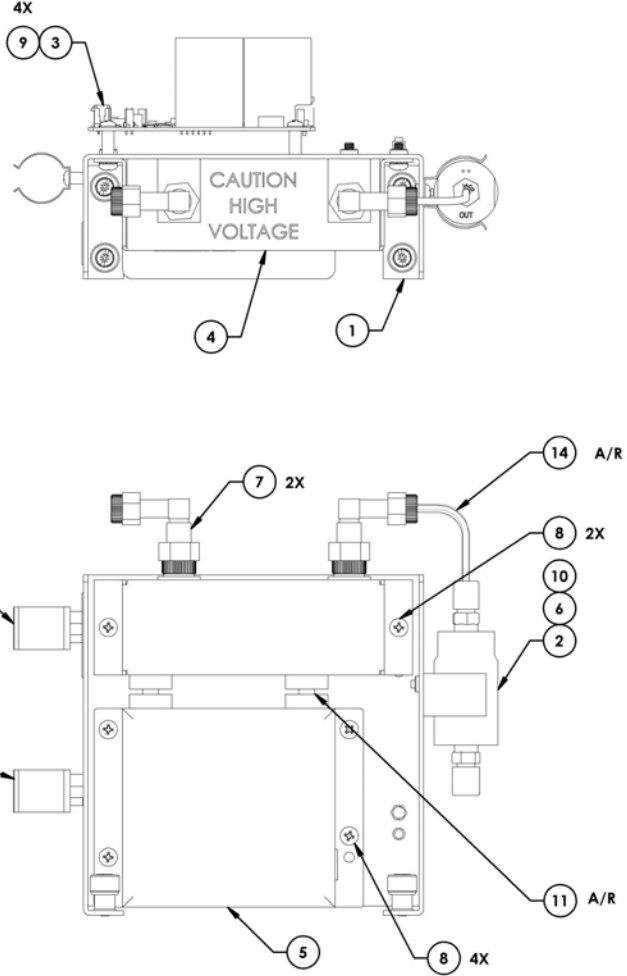
Item	Description	P/N	Qty	Component
1a	ASSY, PMT COOLER DMC, 42iQ	117272-01	1	Spare Part
1b	ASSY, PMT COOLER DMC, 42iQLS	117272-04	1	Spare Part
2	ASSY, BASE, PHOTO MULTIPLIER	101324-00	1	Spare Part
3	O-RING, 1.739 ID, 1.879 OD, .070 CSD, VITON	4806	1	Spare Part
4	O-RING, 1.424 ID, 1.630 OD, .103 CSD, VITON	4822	1	Spare Part
6	FEM RUN TEE	9452	1	Spare Part
7	FTG, Elbow, 1/4T OD, 1/8NPT, SS	4430	1	Spare Part
8	CAP, .187 ID, .25 OD	4786	1	Spare Part
9	FITTING, UNION, CAJON, SS, 1/4" T	9211	2	Spare Part
10	O-RING, .414 ID, .072 CSD, VITON	9212	2	Spare Part
11	FITTING, ELBOW, 1/8T OD, 1/8 NPT, SS (not shown)	4403	2	Spare Part
12	TUBING, 1/8, SS, RC TO OZONE CAP OUTLET	117402-00	1	Spare Part
13a	42iQ PMT COOLER DAC BD Tested	116902-91	1	Spare Part
13b	42iQLS PMT COOLER BD Tested	116902-94	1	Spare Part
14	REACTION CHAMBER, 42iQ	117127-00	1	Spare Part
17	TUBE, PHOTOMULTIPLIER, MODEL 42iQ	106066-00	1	Spare Part
18	TUBE, PHOTOMULTIPLIER, MODEL 42, TL, Y, 17	114050-00	1	Spare Part
20	NIPPLE RECOVER	9453	1	Spare Part
21	ASSY, HEATER, 42iQ DMC	117012-00	1	Spare Part
5	SCREW, PAN HEAD, PHILLIPS, W/EXT WASHER, FT, #8-32, 3/4, SS	21-005034-0012	3	Not Sellable
15	SCREW, PNH, PHH, EW, #6-32, 3/8, SS	21-005087-0006	1	Not Sellable
16	TAPE, SEALANT, PIPE THREAD, 1/4 W	5766	A/R	Not Sellable
19	CAP, .080 ID,	4785	2	Not Sellable

42iQ Reaction Chamber Assembly



Item	Description	P/N	Qty	Component
1	ASSY, PMT COOLER	117165-00	1	Spare Part
2	O-RING, 2.114 ID, 2.254 OD, .07CSD	4821	1	Spare Part
3	FILTER, OPTICAL, 1.575 DIA, .062 THICK, DEEP RED	117195-00	1	Spare Part
4	GASKET, 1.50 ID, 2.00 OD, 1/32 THICK, BUNA-N	117387-00	1	Spare Part
5	WINDOW, GLASS, 2.00 DIA, .062 THICK, QUARTZ	4339	1	Spare Part
6	O-RING, 1.739 ID, 1.879 OD, .070 CSD, VITON	4806	1	Spare Part
7	CHAMBER, REACTION	117127-00	1	Spare Part
9	ASSY, HEATER, 42IQ DMC	117012-00	1	Spare Part
10	SILICONE HEAT SINK COMPOUND	5726	A/R	Spare Part
12	CABLE, ASSY, THERMISTOR, 42IQ	117232-00	1	Spare Part
8	SCREW, CAP, SOCKET HEAD, PARTIAL THREAD, #8- 32, 1.625, SS	21-005872-0026	3	Not Sellable
11	SCREW, PNH, PHH, EW, #4-40, 3/8, SS	21-005492-0006	2	Not Sellable

42iQ Ozonator DMC

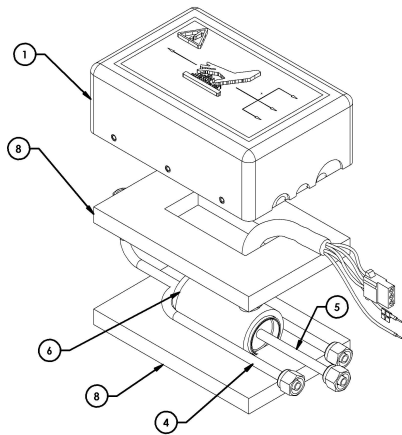


Item	Description	P/N	Qty	Component
2	OZONATOR FLOW SWITCH ASSEMBLY	101620-00	1	Spare Part
3	PCB ASSY, 42IQ OZONATOR	117021-90	1	Spare Part
4	OZONATOR ASSEMBLY	9973	1	Spare Part
5	ASSEMBLY, OZONATOR TRANSFORMER	101419-00	1	Spare Part
6	CLIP, MOUNTING	8553	1	Spare Part
7	REDUCING ELBOW 1/4" X 1/8"	4334	2	Spare Part
10	SCREW, 6-32 X 1/4" LG. PHIL PAN HD SEMS	101405-00	3	Spare Part
11	GREASE, HIGH-VACUUM	5771	A/R	Spare Part
13	CLIP, MOUNT, SCRUBBER	101018-00	2	Spare Part
14	TUBING, TEFLON, 1/8 OD	5510	A/R	Spare Part
1	BRACKET, OZONATOR, 42IQ	117106-00	1	Not Sellable
8	SCREW, PAN HEAD, PHILLIPS, W /EXT WASHER, #8-32, 3/8, SS	37202	6	Not Sellable
9	SCREW, PAN HD, PHILP, SEMS, 6-32, 3/8, SS	102024-00	4	Not Sellable

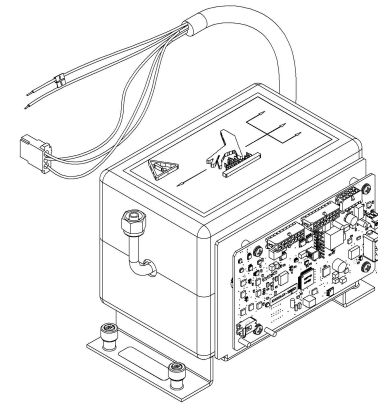
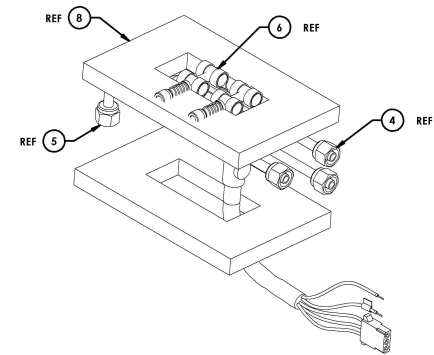
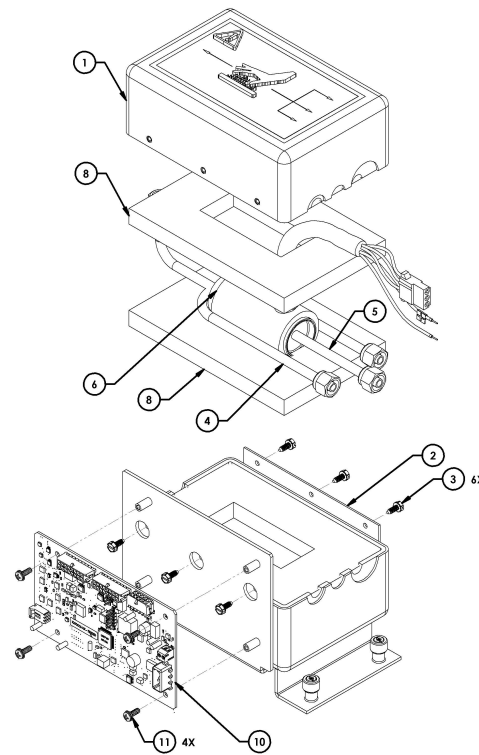
42iQ Moly & SS Converters

42 iQ MOLY & SS CONVERTERS

116981-00
"SS OPTION"



116982-00
"MOLY OPTION"



42iQ Stainless Steel Converter DMC

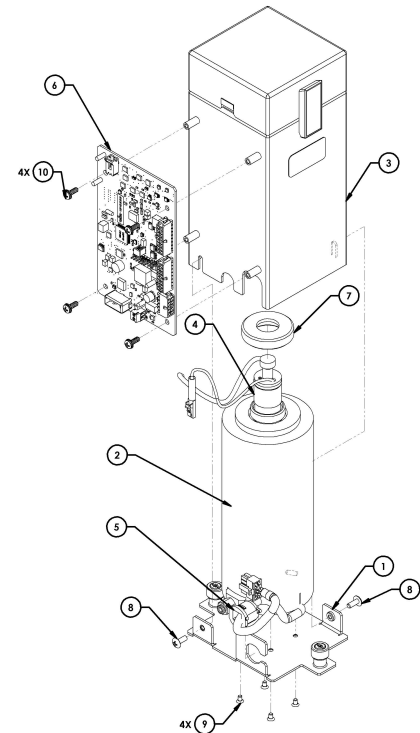
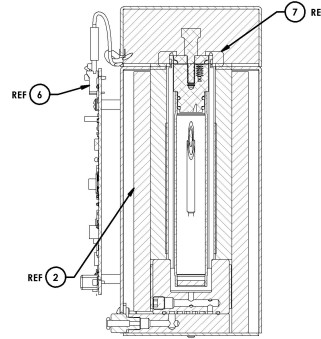
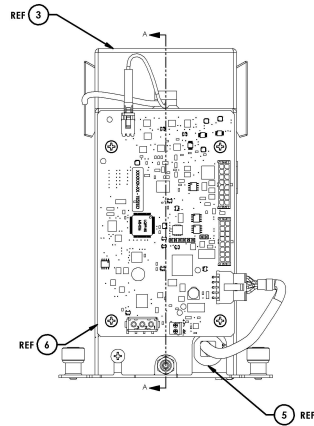
Item	Description	P/N	Qty	Component
4	ASSY, O3 FURNACE, HIGH TEMP, iQ	117418-00	1	Spare Part
5	Assy, Convert/Heater, SST	117397-00	1	Spare Part
6	HEATER, BAND, 48VDC, 120W	117024-00	1	Spare Part
8	INSULATOR, TOP	9257	2	Spare Part
10	PCB ASSY, PERM OVEN/CONVERTERS	116979-91	1	Spare Part
1	ASSY, HOUSING, CONVERTER, TOP	64P720	1	Not Sellable
2	ASSY, HOUSING, CONVERTER, BOTTOM, iQ	116983-00	1	Not Sellable
3	SCREW, HEX HEAD, SLOTTED, W/EXT WASHER, #6-32, 3/8, STL	8457	6	Not Sellable
11	SCREW, PAN HD, Philp, SEMS, 6-32, 3/8, SS	102024-00	4	Not Sellable

42iQ Molybdenum Converter DMC

Item	Description	P/N	Qty	Component
4	ASSY, LOW TEMP O3 CONV,	64P7289	1	Spare Part
5	ASSY, CONVERTER/HEATER,	117398-00	1	Spare Part
6	HEATER, BAND, 48VDC,	117024-00	1	Spare Part
8	INSULATOR,	9257	2	Spare Part
10	PCB ASSY, PERM OVEN/	116979-00	1	Spare Part
1	ASSY, HOUSING, CONVERTER,	64P72	1	Not Sellable
2	ASSY, HOUSING, CONVERTER,	116983-90	1	Not Sellable
3	SCREW, MACHINE, HEX HEAD, SLOTTED, W/EXT WASHER, ST	8457	6	Not Sellable
11	SCREW, PAN HD, PHILP, SEMS, 6-32, 3/8, SS	102024-00	4	Not Sellable

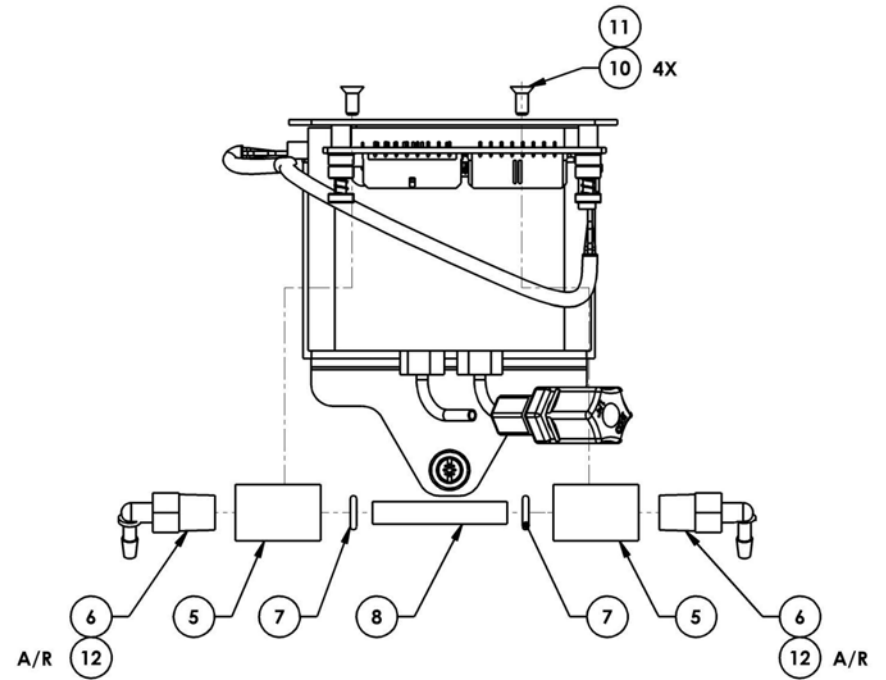
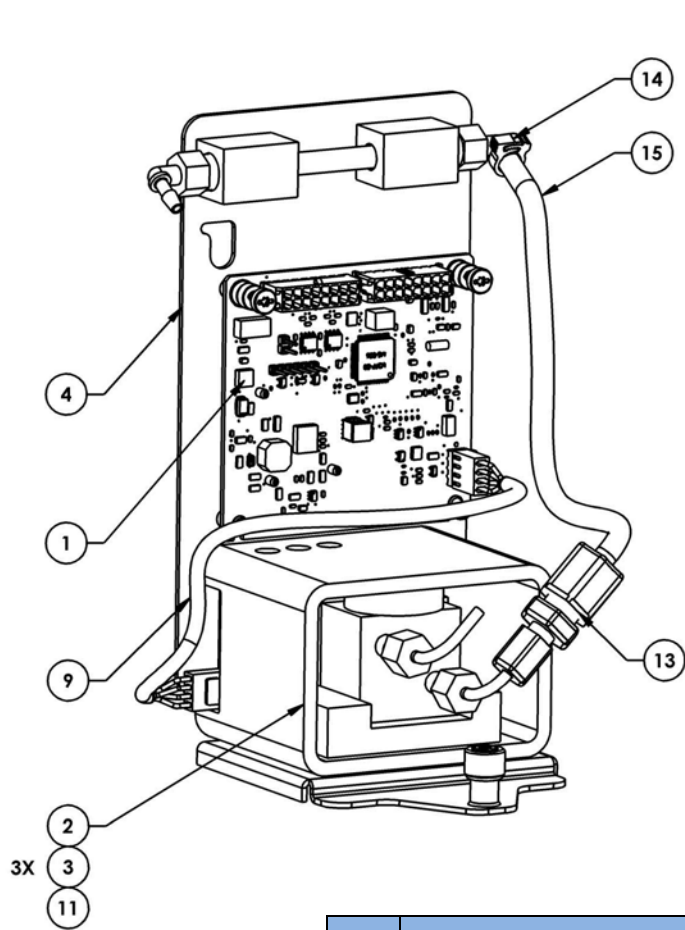
42iQ Permeation Oven DMC 114741-00

42iQ PERMEATION OVEN DMC



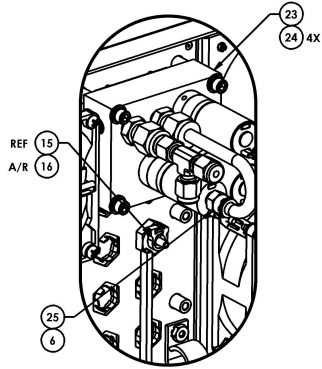
Item	Description	P/N	Qty	Component
4	ASSY, THERMISTOR CAP W/ PFA PLUG	102029-01	1	Spare Part
6	PCB ASSY, PERM OVEN/CONVERTERS	116979-92	1	Spare Part
7	NUT, CLAMP	7980	1	Spare Part
1	PLATE, MOUNTING, PERMEATION OVEN	114647-00	1	Not Sellable
2	ASSY, CORE, PERMEATION OVEN	114682-00	1	Not Sellable
3	ASSY, ENCLOSURE, PERMEATION OVEN, iQ	114645-00	1	Not Sellable
5	BUSHING, STRAIN RELIEF, .30 TO .33 DIA CABLE	114717-00	1	Not Sellable
8	SCREW, MACHINE, TRUSS HD, PHILLIPS, FULL THD, #6-32, 3/8, SS	111166-00	2	Not Sellable
9	SCREW, MACHINE, FLAT HEAD, PHILLIPS, UNDERCUT, #4-40, 3/16, SS	5857	1	Not Sellable
10	SCREW, PAN HD, PHILP, SEMS, 6-32, 3/8, SS	102024-00	4	Not Sellable

42iQ Oxygen Sensor DMC 117369-00

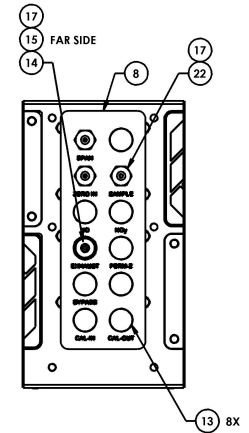
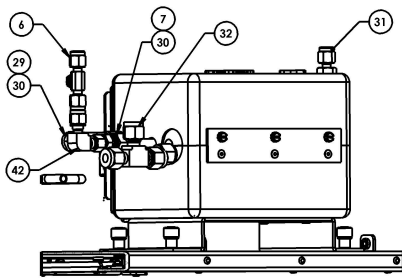
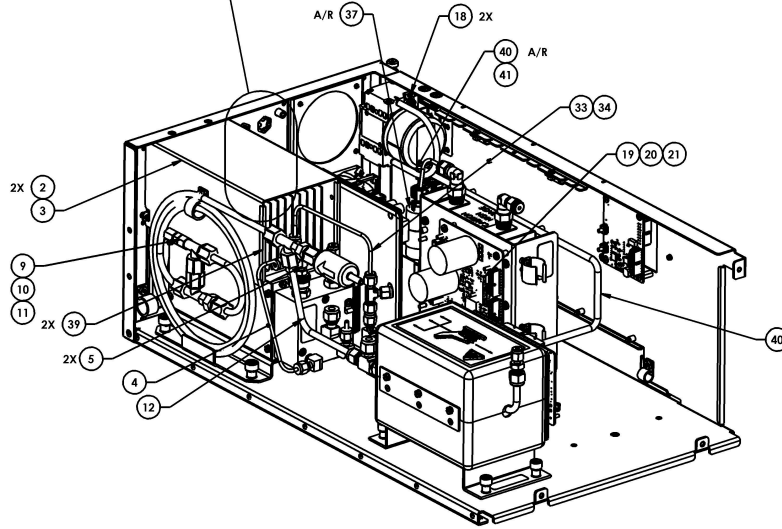
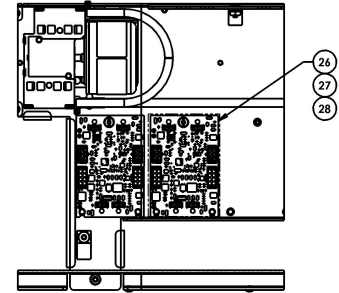
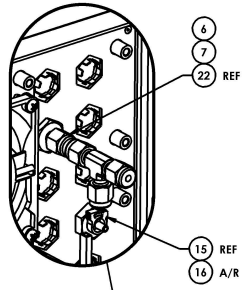


Item	Description	P/N	Qty	Component
8	CAPILLARY, 1.5"LG, .010 BORE, BLK	4121	1	Consumable
1	ASSY, PCB, DMC, OXYGEN SENSOR	117346-90	1	Spare Part
2	SENSOR, OXYGEN, PARAMAGNETIC, DIGITAL	117494-00	1	Spare Part
5	BLOCK, ADAPTER, CAPILLARY TUBE	116051-02	2	Spare Part
6	FITTING, ELBOW, 1/8 NPT X 1/8 BARB, PVDF	116652-00	2	Spare Part
15	TUBING, TYGON W/FEP TEFLON LINER, 1/8"ID, 1/16" WALL	B0164KB	A/R	Spare Part
3	SCREW, CAP, SOCKET HEAD, FULL THREAD, M4, 6MM, SS	21-007502-0006	3	Not Sellable
4	BRACKET, OXYGEN DMC MOUNTING	117939-00	1	Not Sellable
7	O-RING, 1/4 ID, 3/8 OD, VITON	22-000485-3010	2	Not Sellable
9	CABLE ASSY, OXYGEN SENSOR	118062-00	1	Not Sellable
10	SCREW, MACHINE, FLAT HEAD, PHILLIPS, FULL THD, #6-32, 5/16, SS	21-004277-0005	4	Not Sellable
11	ADHESIVE, THREADLOCK, LOW STRENGTH, PURPLE	22-001606	A/R	Not Sellable
12	TAPE, SEALANT, PIPE THREAD, 1/4 WIDE, .0032 THICK	22-007258	A/R	Not Sellable
13	FITTING, REDUCING UNION, 1/4T, 1/8T, KYNAR	118097-00	1	Not Sellable
14	CLAMP, HOSE, Ø.228-.256	117128-00	1	Not Sellable

42iQD Measurent Case



SAMPLE FITTINGS

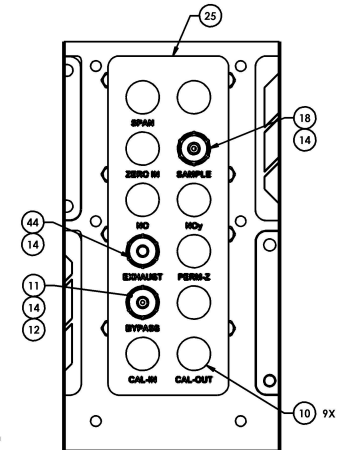
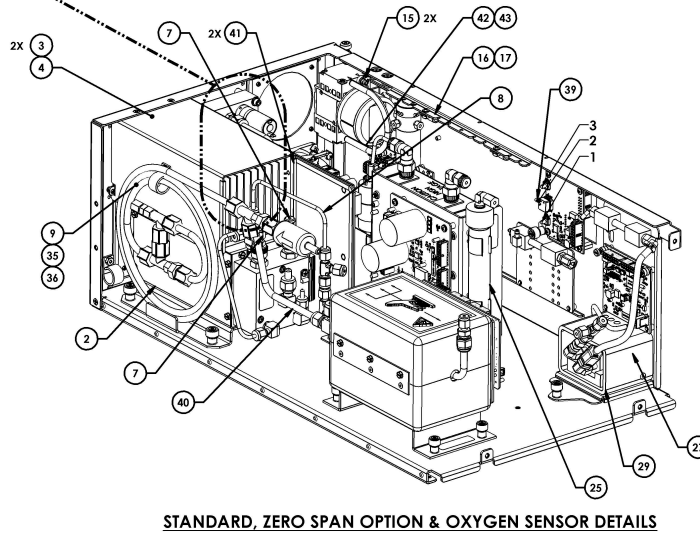
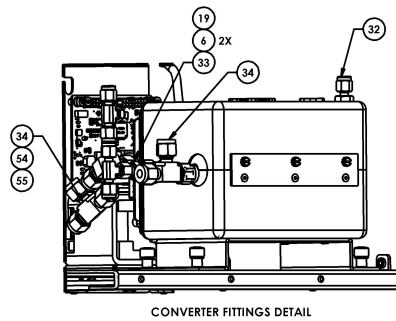
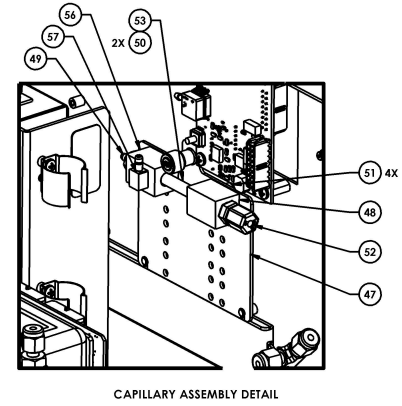
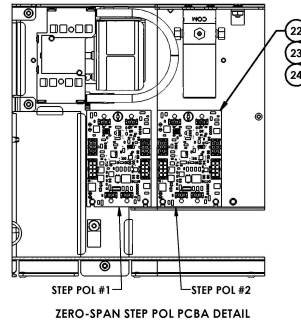
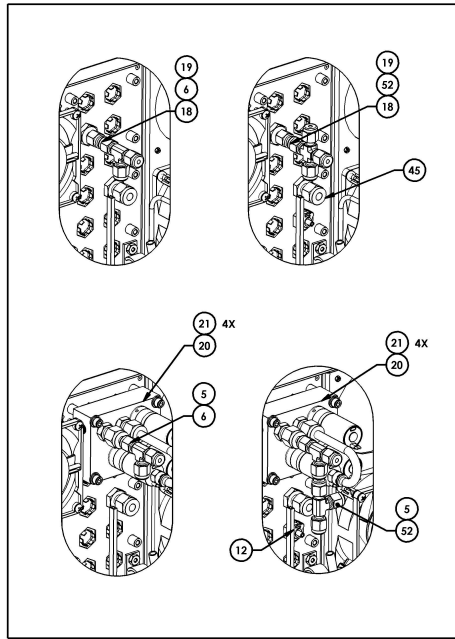


STANDARD OPTION

42iQD Consumable Kit 119474-00	
117872-00	1 x Fan Filter (5/pk)
117877-00	2 x Pump Rebuild Kit
4119	1 x .008 Capillary
4127	1 x 15 Mil Capillary
9212	1 x Capillary O-Rings (5/pk)

ITEM	DESCRIPTION	P/N	Qty	Component
4	ASSY, PMT COOLER, W/ PMT	117272-08	1	Spare Part
5	FITTING, REDUCER, 1/4 STEM, 1/8 T, SS	117344-00	2	Spare Part
6	FITTING, TEE, UNION, 1/8T OD, SS	32-011183	2	Spare Part
7	FITTING, PORT CONN, 1/8T, SS	32-011182	2	Spare Part
9	PERMEATION DRYER ASSEMBLY	113982-00	1	Spare Part
12	TUBING, 1/4, SS (CONVERT TO DRYER)	117399-00	1	Spare Part
13	PLUG, 1/2" HOLE, 1/16 PANEL, METAL	116579-00	10	Spare Part
14	FITTING, BULKHEAD, 1/4 TUBE, 1/8 BARB, SS	116774-00	1	Spare Part
15	CLAMP, HOSE, Ø.228-.256	117128-00	1	Spare Part
18	CLAMP, HOSE, Ø.269-.291	117046-00	2	Spare Part
19	CABLE ASSY, DMC, 12"	114675-12	1	Spare Part
20	CABLE ASSY, DMC, 15"	114675-15	1	Spare Part
22	FITTING, UNION, BULKHEAD, 1/4T OD, 1/8T OD, SS	32-007185	1	Spare Part
26	ASSY, PCB, STEP POL	114664-00	1	Spare Part
27	CABLE ASSY, STEP POL, POWER, 3"	116522-03	1	Spare Part
28	CABLE ASSY, STEP POL, SIGNAL, 3"	116523-03	1	Spare Part
29	FTG, ADPT, 1/4 TUBE X 1/8 HOSE, SS	117199-00	1	Spare Part
30	FITTING, ELBOW, UNION, 1/4T OD, SS	2049.579	1	Spare Part
31	FITTING, REDUCER, 1/4T OD, 1/8T OD, SS	117384-00	1	Spare Part
33	FITTING, TEE, UNION, 1/4T OD, SS	32-002983	1	Spare Part
34	TUBING, 1/8, SS (CONVERT TO PMT)	117400-00	1	Spare Part
37	TUBING, TEFLON, 1/8 OD	5510	A/R	Spare Part
38	HOSE, SILICONE, CLEAR, 2MM ID X 2MM WALL	32-008043-0002	A/R	Spare Part
40	TUBING, SILASTIC, 1/4 OD	5500	A/R	Spare Part
23	ASSY, VALVE MANIFOLD, ZERO-SPAN, SS	119987-00	1	Optional
2	SCREW, MACHINE, FLAT HEAD, PHILLIPS, #6-32, 1/4, SS	21-004277-0004	2	Not Sellable
3	SHROUD, PMT, 42iQ	116633-00	1	Not Sellable
8	LABEL, REAR PANEL, 42iQ	117336-00	1	Not Sellable
10	CABLE HOLDER, 5/8, FASTENER MOUNT, FLEXIBLE J LOOP	117140-00	1	Not Sellable
11	NUT, LOCK, HEX, TOOTH WASHER, COARSE THREAD, #6-32, SS	21-004542	1	Not Sellable
16	TUBING, TYGON 2375, 1/8 ID, 1/16 WALL	116954-02	A/R	Not Sellable
17	WASHER, FLAT, 7/16, ALUM, MIL SPEC	116953-00	2	Not Sellable
21	CABLE ASSY, DMC, 24"	114675-24	1	Not Sellable
24	SCREW, CAP, SOCKET HEAD, PARTIAL THREAD, #8-32, 1.25, SS	21-000826-0020	4	Not Sellable
25	FTG, PORT CONN, REDUCE, 1/4T X 1/8T, SS	117417-00	1	Not Sellable
32	FITTING, UNION, REDUCING, 1/4T OD, 1/8T OD, SS	32-004852	1	Not Sellable
36	TUBING, FEP, .180 ID, 1/4 OD, BLACK	117362-04	A/R	Not Sellable
39	GROMMET, EDGING .062--099~ PANEL THK BLACK(3.25")	6-5250-824	2	Not Sellable
41	TUBING, TEFLON, 1/4OD, 1/8ID, PUMP TO CONVERTER	118332-00	1	Not Sellable
42	FITTING, ELBOW, UNION, 1/8T OD, 1/8T OD, SS	4405	1	Not Sellable

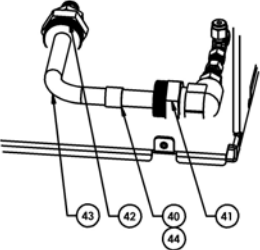
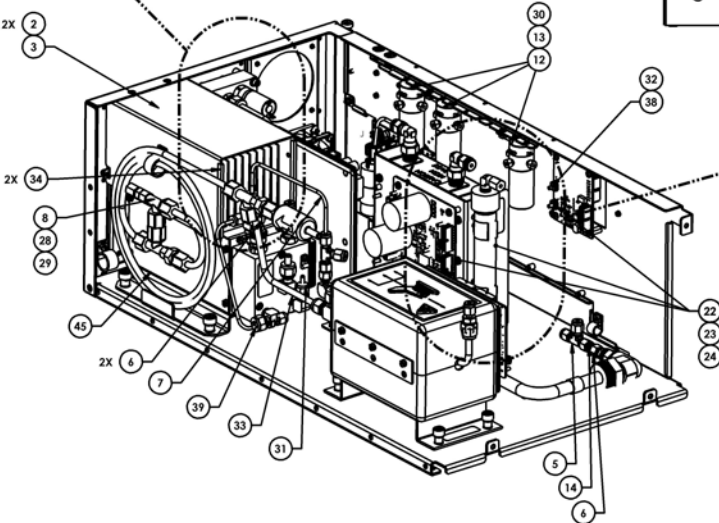
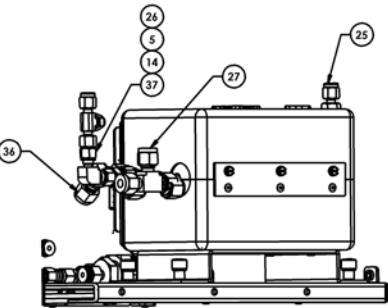
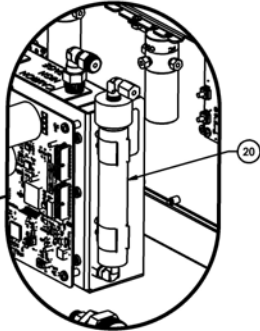
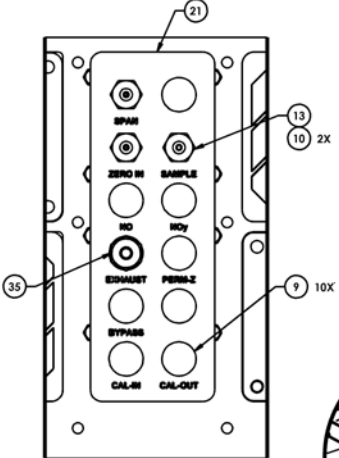
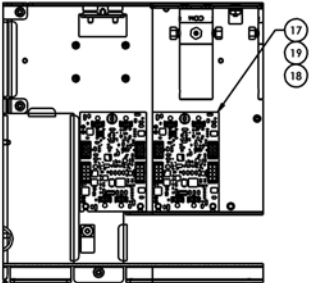
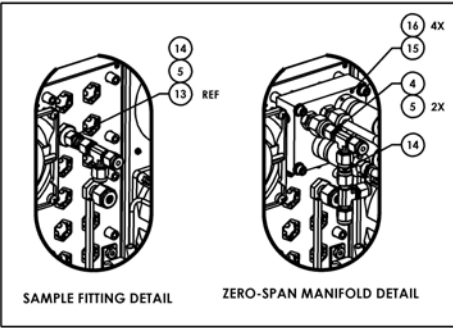
42iQHL Measurement Case



42iQHL Consumable Kit 119476-00	
117872-00	1 x Fan Filter (5/pk)
4113	5 Mil Capillary
4121	10 Mil Capillary
4127	15 Mil Capillary
9212	1 x Capillary O-Rings (5/pk)
9464	2 x Pump Rebuild Kit

ITEM	DESCRIPTION	P/N	Qty	Component
53	CAPILLARY, 1.5"LG, .015 BORE, PUR	4127	1	Consumable
2	ASSY, PMT COOLER, W/ PMT	117272-02	1	Spare Part
6	FITTING, TEE, UNION, 1/8T OD, SS	32-011183	3	Spare Part
7	FITTING, REDUCER, 1/4 STEM, 1/8 T, SS	117344-00	2	Spare Part
8	TUBING, 1/8, SS (CONVERT TO PMT)	117400-00	1	Spare Part
9	PERMEATION DRYER ASSEMBLY	113982-00	1	Spare Part
10	PLUG, 1/2" HOLE, 1/16 PANEL, METAL	116579-00	10	Spare Part
11	FITTING, BULKHEAD, 1/4 TUBE, 1/8 BARB, SS	116774-00	1	Spare Part
15	Single-head Pump	116584-00	1	Spare Part
16	ASSY, FITTING, SOLENOID	117207-00	1	Spare Part
18	FITTING, UNION, BULKHEAD, 1/4T OD, 1/8T OD, SS	32-007185	1	Spare Part
19	FITTING, PORT CONN, 1/8T, SS	32-011182	3	Spare Part
22	ASSY, PCB, STEP POL	114664-00	1	Spare Part
23	CABLE ASSY, STEP POL, POWER, 6" (not shown)	116522-06	1	Spare Part
24	CABLE ASSY, STEP POL, SIGNAL, 6" (not shown)	116523-06	1	Spare Part
25	ASSY, SCRUBBER, AMMONIA	101680-00	1	Spare Part
28	CABLE ASSY, DMC, 15"	114675-15	1	Spare Part
29	CABLE ASSY, DMC, 12"	114675-12	1	Spare Part
30	CABLE ASSY, DMC, 5"	114675-05	1	Spare Part
33	FITTING, REDUCER, 1/4T OD, 1/8T OD, SS	117384-00	1	Spare Part
34	FITTING, TEE, UNION, 1/4T OD, SS	32-002983	2	Spare Part
37	TUBING, TEFLON, 1/8 OD	5510	A/R	Spare Part
39	HOSE, SILICONE, CLEAR, 2MM ID X 2MM WALL	32-008043-0002	A/R	Spare Part
40	TUBING, 1/4, SS (CONVERT TO DRYER)	117399-00	1	Spare Part
42	TUBING, SILASTIC, 1/4 OD	5500	A/R	Spare Part
44	FITTING, UNION, 1/8T, SS	4417	1	Spare Part
48	BLOCK, ADAPTER, CAPILLARY TUBE	116051-02	1	Spare Part
52	FITTING, CONNECTOR, 1/8T OD, 1/8 NPT, KYNAR	10040	1	Spare Part
54	FITTING, ELBOW, UNION, 1/4T OD, SS	2049.579	1	Spare Part
56	BLOCK, ADAPTER, CAPILLARY TUBE	116051-01	1	Spare Part
57	FITTING, ELBOW, BARB, 1/8T ID, #10-32, SS	32-007390	1	Spare Part
20	ASSY, VALVE MANIFOLD, ZERO-SPAN, SS	119987-00	1	Optional
27	Oxygen Sensor DMC	117369-00	1	Optional
3	SCREW, MACHINE, FLAT HEAD, PHILLIPS, #6-32, 1/4, SS	21-004277-0004	2	Not Sellable
4	SHROUD, PMT, 42IQ	116633-00	1	Not Sellable
5	FTG, PORT CONN, REDUCE, 1/4 X 1/8T, SS	117417-00	1	Not Sellable
12	CLAMP, HOSE, Ø.228-.256	117128-00	1	Not Sellable
13	TUBING, TYGON 2375, 1/8 ID, 1/16 WALL	116954-02	A/R	Not Sellable
14	WASHER, FLAT, 7/16, ALUM, MIL SPEC	116953-00	3	Not Sellable
17	SCREW, MACHINE, PAN HEAD, PHILLIPS, FULL THD, #4-40, 3/8, SS	21-003720-0006	2	Not Sellable
21	SCREW, CAP, SOCKET HEAD, PARTIAL THREAD, #8-32, 1.25, SS	21-000826-0020	4	Not Sellable
26	LABEL, REAR PANEL, 42IQ	117336-00	1	Not Sellable
32	FITTING, UNION, REDUCING, 1/4T OD, 1/8T OD, SS	32-004852	1	Not Sellable
35	CABLE HOLDER, 5/8, FASTENER MOUNT, FLEXIBLE J LOOP	117140-00	1	Not Sellable
36	NUT, LOCK, HEX, TOOTH WASHER, COARSE THREAD, #6-32, SS	21-004542	1	Not Sellable
38	TUBING, FEP, .180 ID, 1/4 OD, BLACK	117362-04	A/R	Not Sellable
41	GROMMET, EDGING .062~.099~ PANEL THK BLACK(3.25")	6-5250-824	2	Not Sellable
43	TIE, CABLE, NYLON, 4"	5385	1	Not Sellable
45	FITTING, UNION, BULKHEAD, 1/4T OD, SS	2049.58	1	Not Sellable
47	PLATE, CAPILLIARY	117116-00	1	Not Sellable
49	FITTING, ADAPTER, BARB, 1/8T ID, 1/8 NPT, BRASS	32-012150	1	Not Sellable
50	O-RING, 1/4 ID, 3/8 OD, VITON	22-000485-3010	2	Not Sellable
51	SCREW, CAP, SOCKET HEAD, FULL THREAD, #6-32, 1/4, SS	21-006265-0004	4	Not Sellable
55	FITTING, PORT CONNECTOR, 1/4T OD, SS	32-002984	1	Not Sellable

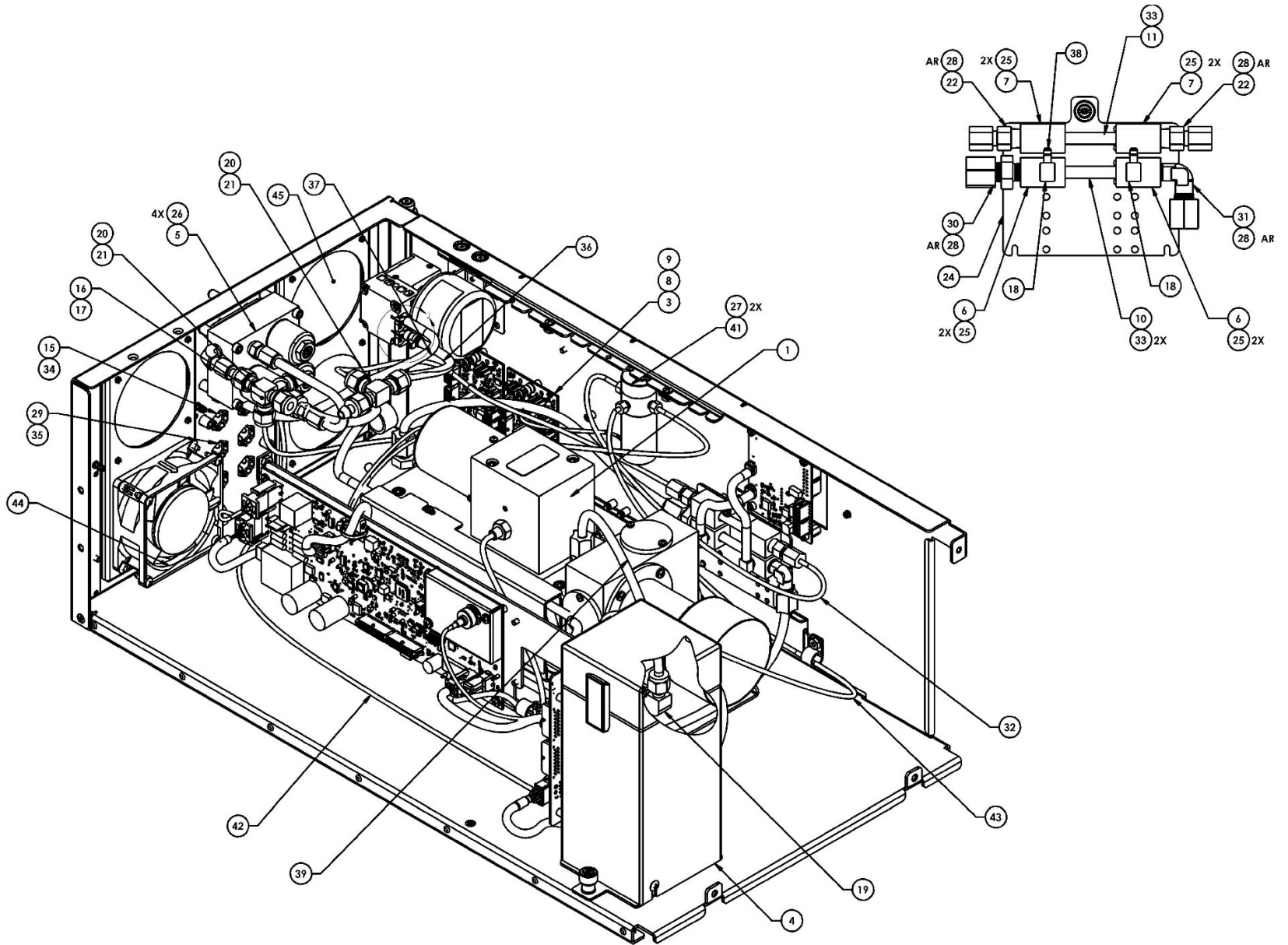
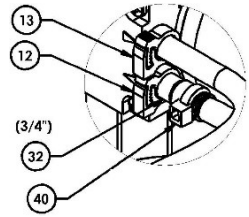
42iQTL Measurement Case



42iQTL Consumable Kit 119475-00	
117872-00	1 x Fan Filter (5/pk)
4119	1 x .008 Capillary
4126	1 x .020 Capillary
9212	1 x Capillary O-Rings (5/pk)
9464	2 x Pump Rebuild Kit

ITEM	DESCRIPTION	P/N	Qty	Component
2	ASSY, PMT COOLER, W/ PMT	117272-03	1	Spare Part
6	FITTING, TEE, UNION, 1/8T OD, SS	32-011183	4	Spare Part
7	FITTING, REDUCER, 1/4 STEM, 1/8 T, SS	117344-00	3	Spare Part
8	TUBING, 1/8, SS (CONVERT TO DRYER)	117400-00	1	Spare Part
9	PERMEATION DRYER ASSEMBLY	113982-00	1	Spare Part
10	PLUG, 1/2" HOLE, 1/16 PANEL, METAL	116579-00	10	Spare Part
12	ASSY, FITTING, SOLENOID	117207-00	3	Spare Part
14	FITTING, UNION, BULKHEAD, 1/4T OD, 1/8T OD, SS	32-007185	1	Spare Part
15	FITTING, PORT CONN, 1/8T, SS	32-011182	3	Spare Part
18	ASSY, PCB, STEP POL	114664-00	1	Spare Part
19	CABLE ASSY, STEP POL, POWER, 6"	116522-06	1	Spare Part
20	CABLE ASSY, STEP POL, SIGNAL, 6"	116523-06	1	Spare Part
21	ASSY, SCRUBBER, AMMONIA	101680-00	1	Spare Part
23	CABLE ASSY, DMC, 18"	114675-18	1	Spare Part
24	CABLE ASSY, DMC, 15"	114675-15	1	Spare Part
25	CABLE ASSY, DMC, 12"	114675-12	1	Spare Part
27	FITTING, REDUCER, 1/4T OD, 1/8T OD, SS	117384-00	1	Spare Part
28	FITTING, TEE, UNION, 1/4T OD, SS	32-002983	1	Spare Part
31	TUBING, TEFLON, 1/8 OD	5510	A/R	Spare Part
33	HOSE, SILICONE, CLEAR, 2MM ID X 2MM WALL	32-008043-0002	A/R	Spare Part
34	TUBING, 1/4, SS (CONVERT TO DRYER)	117399-00	1	Spare Part
37	FITTING, UNION, ELBOW, 1/4", SS	2049.579	1	Spare Part
40	FITTING, UNION, 1/8T, SS	4417	1	Spare Part
42	ELBOW, TEFLON 1/2" TO 1/4"	9208	1	Spare Part
43	REDUCING UNION, 1/2" TO 1/8"	9451	1	Spare Part
44	TUBING, 3/8 ID, 1/2 OD, FEP	9210	A/R	Spare Part
16	ASSY, VALVE MANIFOLD, ZERO-SPAN, SS	119987-00	1	Optional
3	SCREW, MACHINE, FLAT HEAD, PHILLIPS, #6-32, 1/4, SS	21-004277-0004	2	Not Sellable
4	SHROUD, PMT, 42IQ	116633-00	1	Not Sellable
5	FTG, PORT CONN, REDUCE, 1/4T X 1/8T, SS	117417-00	1	Not Sellable
11	WASHER, FLAT, 7/16, ALUM, MIL SPEC	116953-00	4	Not Sellable
13	SCREW, MACHINE, PAN HEAD, PHILLIPS, FULL THD, #4-40, 3/8, SS	21-003720-0006	6	Not Sellable
17	SCREW, CAP, SOCKET HEAD, PARTIAL THREAD, #8-32, 1.25, SS	21-000826-0020	4	Not Sellable
22	LABEL, REAR PANEL, 42IQ	117336-00	1	Not Sellable
26	FITTING, UNION, REDUCING, 1/4T OD, 1/8T OD, SS	32-004852	1	Not Sellable
29	CABLE HOLDER, 5/8, FASTENER MOUNT, FLEXIBLE J LOOP	117140-00	1	Not Sellable
30	NUT, LOCK, HEX, TOOTH WASHER, COARSE THREAD, #6-32, SS	21-004542	1	Not Sellable
32	TUBING, FEP, .180 ID, 1/4 OD, BLACK	117362-04	A/R	Not Sellable
35	GROMMET, EDGING .062~-099~ PANEL THK BLACK(3.25")	6-5250-824	2	Not Sellable
36	FTG, UNION, BULKHEAD, 1/4", SS	2049.58	1	Not Sellable
38	FITTING, ELBOW, UNION, 1/8T OD, 1/8T OD, SS	4405	1	Not Sellable
41	CLAMP, CABLE, 1/2, NYLON	4168	1	Not Sellable
45	SCREW, MACHINE, PAN HEAD, PHILLIPS, #6-32, 1/4, SS	21-003721-0004	1	Not Sellable

43iQ Measurement Case

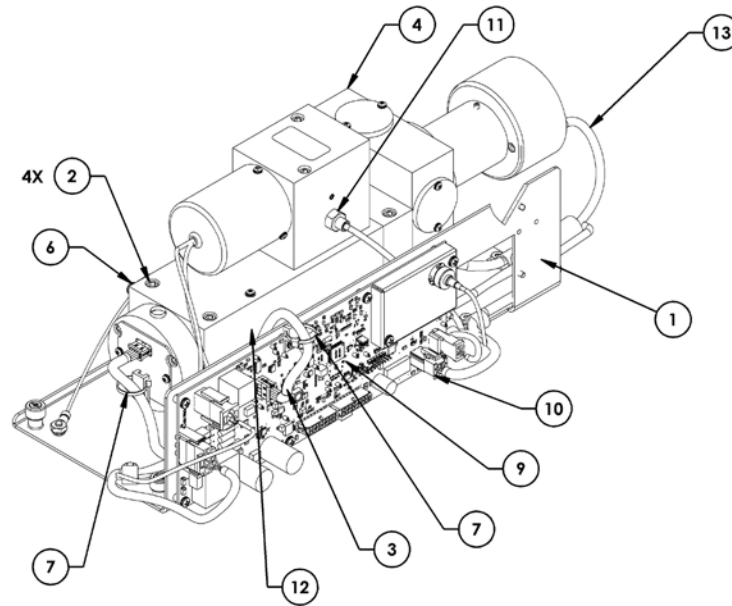


43iQ Spares Kit

	Part Number	Description
GA 43iQ Spares Kits	117866-00	43iQ Consumable Kit
		Includes
	117615-00	1 x Pump Rebuild Kit
	8919	1 x Capillary, 13 Mil
	117712-00	1 x Capillary O-Rings (10/pk)
	117872-00	1 x Fan Filter (5/pk)

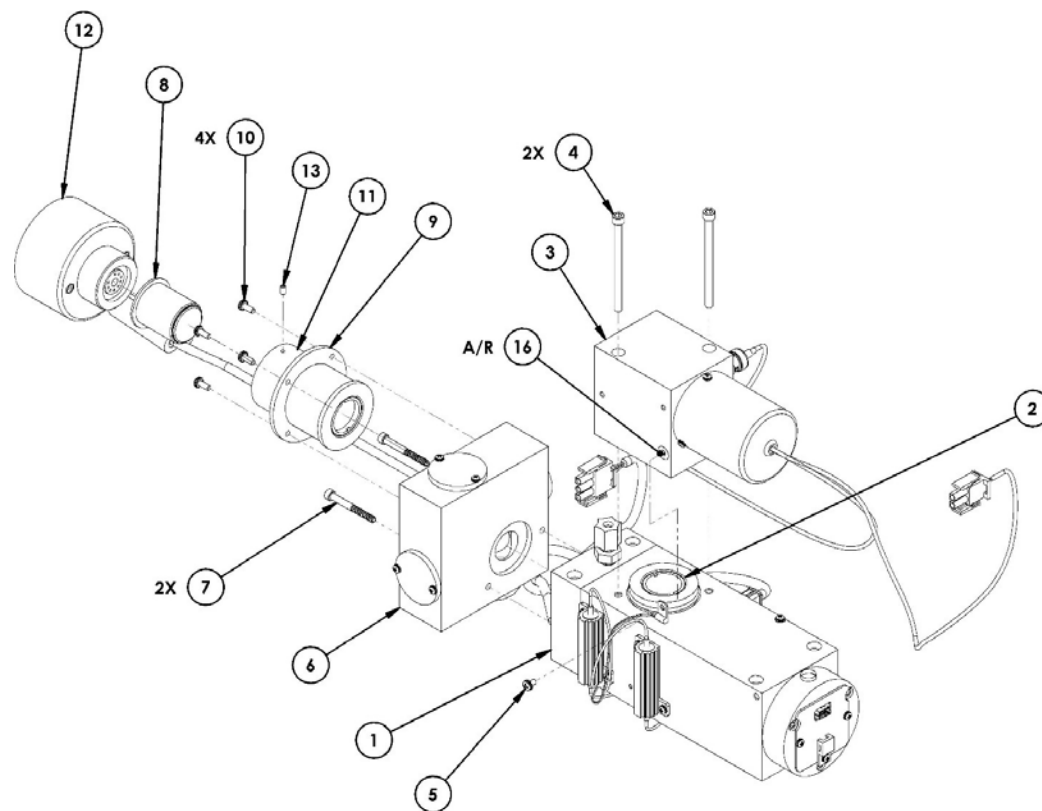
Item	Description	P/N	Qty	Component
10	CAPILLARY, 1.5" LG, .013 BORE	8919	1	Consumable
11	CAPILLARY, 1.5" LG, .008 BORE, RED	4119	1	Consumable
1	ASSY, DMC, 43iQ, STANDARD	116453-01	1	Spare Part
3	ASSY, PCB, STEP POL	114664-00	1	Spare Part
5	ASSY, VALVE MANIFOLD, ZERO-SPAN, SS	117143-00	1	Spare Part
6	BLOCK, ADAPTER, CAPILLARY TUBE, 10-32 Port	116051-01	2	Spare Part
7	BLOCK, ADAPTER, CAPILLARY TUBE, No Port	116051-02	1	Spare Part
8	CABLE ASSY, STEP POL, POWER, 3"	116522-03	1	Spare Part
9	CABLE ASSY, STEP POL, SIGNAL, 3"	116523-03	1	Spare Part
15	FITTING, BULKHEAD, REDUCER, 1/4T, 1/8T, SS	32-007185	1	Spare Part
16	FITTING, BULKHEAD, 1/4 TUBE, 1/8 BARB, SS	116774-00	1	Spare Part
18	FITTING, ELBOW, BARB, 1/8T ID, #10-32, SS	32-007390	2	Spare Part
19	FITTING, ELBOW, UNION, 1/4T OD, SS	2049.579	1	Spare Part
20	FITTING, PORT CONNECTOR, 1/4T OD, SS	2049.798	1	Spare Part
30	FTG, MALE CONN	8599	1	Spare Part
31	FITTING, ELBOW, 1/4T OD, 1/8 NPT, KYNAR	8569	1	Spare Part
32	TUBING, SILASTIC	5500	AR	Spare Part
35	PLUG, 1/2" HOLE, 1/16 PANEL, METAL	116579-00	10	Spare Part
37	TUBING, TEFLON, 1/4OD, .125 ID, FEP	5512	AR	Spare Part
38	TUBING, SILASTIC, 2MM ID, 2MM WALL	32-008043-0002	AR	Spare Part
39	TUBING, TEFLON, .125 OD, FEP	5510	A/R	Spare Part
41	ASSY, FITTING, SOLENOID	117207-00	1	Spare Part
42	CABLE, ASSY, DMC, 18"	114675-18	1	Spare Part
43	CABLE, ASSY, DMC, 8"	114675-08	1	Spare Part
44	ASSY, FAN, IQ REAR PANEL	116752-00	1	Spare Part
45	PANEL, FAN, BLANK	116472-00	3	Spare Part
4	ASSY, PERMEATION OVEN, IQ	114741-00	1	Optional
12	CLAMP, HOSE, Ø.228-.256	117128-00	1	Not Sellable
13	CLAMP, HOSE, Ø.269-.291	117046-00	2	Not Sellable
17	FITTING, UNION, BULKHEAD, 1/4T OD, SS	2049.58	1	Not Sellable
21	FITTING, TEE, REDUCING, 1/4 X 1/4 X 1/8, TUBE	117197-00	2	Not Sellable
22	FITTING, 1/8 NPT TO 1/8 COMPRESSION	117196-00	2	Not Sellable
24	PLATE, CAPILLIARY	117116-00	1	Not Sellable
25	SCREW, CAP, SOCKET HEAD, FULL THREAD, #6-32, 1/4, SS	21-006265-0004	8	Not Sellable
26	SCREW, CAP, SOCKET HEAD, PARTIAL THREAD, #8-32, 1.25, SS	21-000826-0020	4	Not Sellable
27	SCREW, MACHINE, PAN HEAD, PHILLIPS, FULL THD, #4-40, 3/8, SS	21-003720-0006	2	Not Sellable
28	TAPE, SEALANT, PIPE THREAD, 1/4 WIDE, .0032 THICK	22-007258	AR	Not Sellable
29	CAP, .187 ID, .25 OD	4786	5	Not Sellable
33	O-RING, 1/4 ID, 3/8 OD, VITON	22-000485-3010	4	Not Sellable
34	WASHER, FLAT, 7/16, ALUM, MIL SPEC	116953-00	2	Not Sellable
36	TUBING, FLEXIBLE, ULTRA CHEMICAL RESISTANT, TYGON	116954-02	AR	Not Sellable
40	TIE, CABLE, NYLON, 4"	5385	1	Not Sellable

43iQ Optical Bench DMC 116453-01 - EXCH



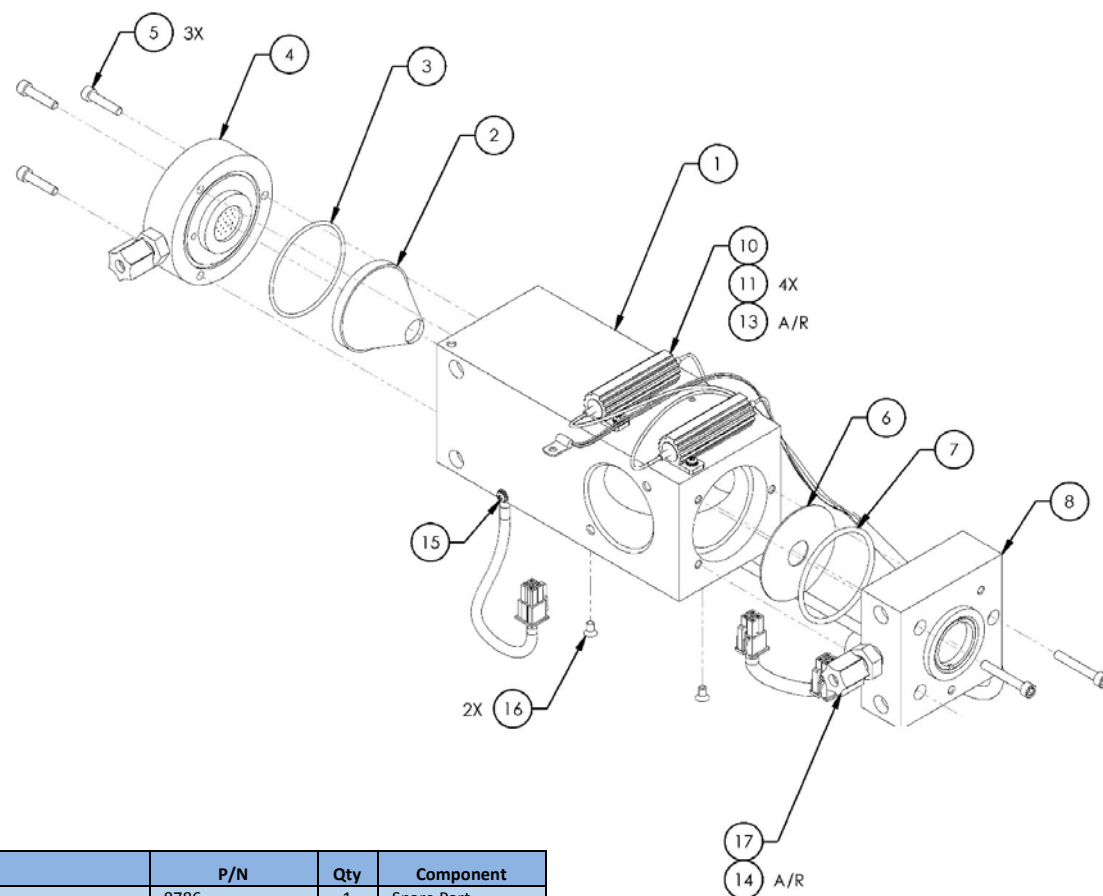
Item	Description	P/N	Qty	Component
4	ASSY, BENCH, OPTICAL, 43iQ, STANDARD	116556-00	1	Spare Part
9	PCB DMC PMT OPTICAL BENCH	116485-90	1	Spare Part
10	ASSY, HEATER, 43IQ	115946-01	1	Spare Part
11	LED ASSEMBLY	8890	1	Spare Part
12	ASSY, KICKER, HEATED, 43IQ	117035-00	1	Spare Part
13	TRIGGER PACK ASSEMBLY	117779-00	1	Spare Part
1	ASSY, BRACKET, DMC, 43iQ	116601-00	1	Not Sellable
2	SCREW, CAP, SOCKET HEAD, PARTIAL THREAD, #10-32, 2.75, SS	21-000832-0044	4	Not Sellable
3	CABLE ASSY, DETECTOR, UV	116607-01	1	Not Sellable
6	SCREW, PAN HEAD, PHILLIPS, W/EXT WASHER, FT, #8-32, 1/4, SS	21-005034-0004	1	Not Sellable
7	TIE, CABLE, NYLON, 4"	5385	2	Not Sellable

43iQ Optical Bench Assembly



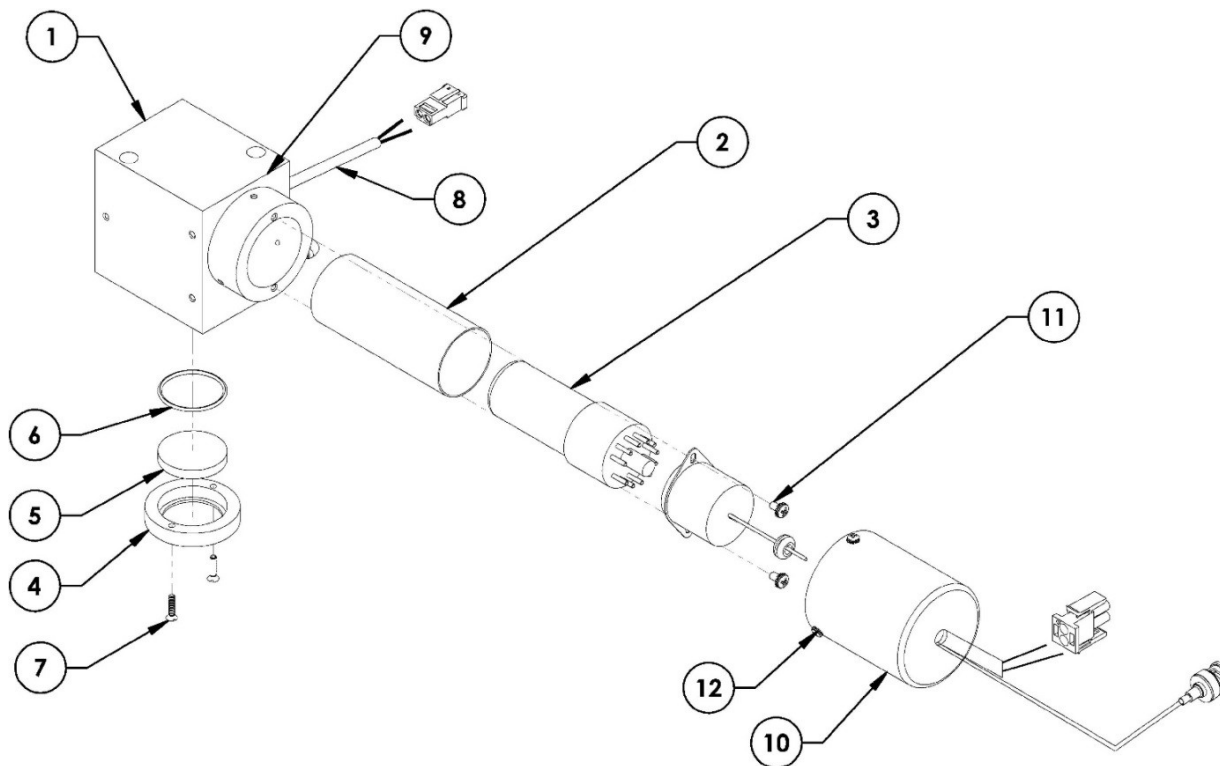
Item	Description	P/N	Qty	Component
1	ASSY, CHAMBER, REACTION, 43iQ	116497-00	1	Spare Part
2	ASSY, LENS MOUNT	8335	1	Spare Part
3	ASSY, PMT HOUSING MODEL 43i	101570-00	1	Spare Part
6	ASSY. MIRROR HOUSING	8888	1	Spare Part
8	LAMP, UV SOURCE 43 SERIES	8666	1	Spare Part
12	ASSY, TRIGGER PACK, 43iQ	117779-00	1	Spare Part
16	THERMAL COMPOUND, DOW TYPE 340	5726	A/R	Spare Part
4	SCREW, CAP, SOCKET HEAD, PARTIAL THREAD, #10-32, 2.75, SS	21-000832-0044	2	Not Sellable
5	SCREW, PAN HEAD, PHILLIPS, W/EXT WASHER, FT, #6-32, 1/4, SS	21-005087-0004	1	Not Sellable
7	SCREW, CAP, SOCKET HEAD, #8-32, 1.50, SS	21-000826-0024	2	Not Sellable
9	CLAMP, RING	8820	1	Not Sellable
10	SCREW, PAN HEAD, PHILLIPS, W/EXT WASHER, FT, #6-32, 3/8, SS	21-005087-0006	4	Not Sellable
11	ASSY, LAMP HOUSING	8889	1	Not Sellable
13	SCREW, SET, CUP POINT, SELF-LOCKING, #6-32, 1/4, SS	21-012327-0004	1	Not Sellable

43iQ Reaction Chamber Assembly



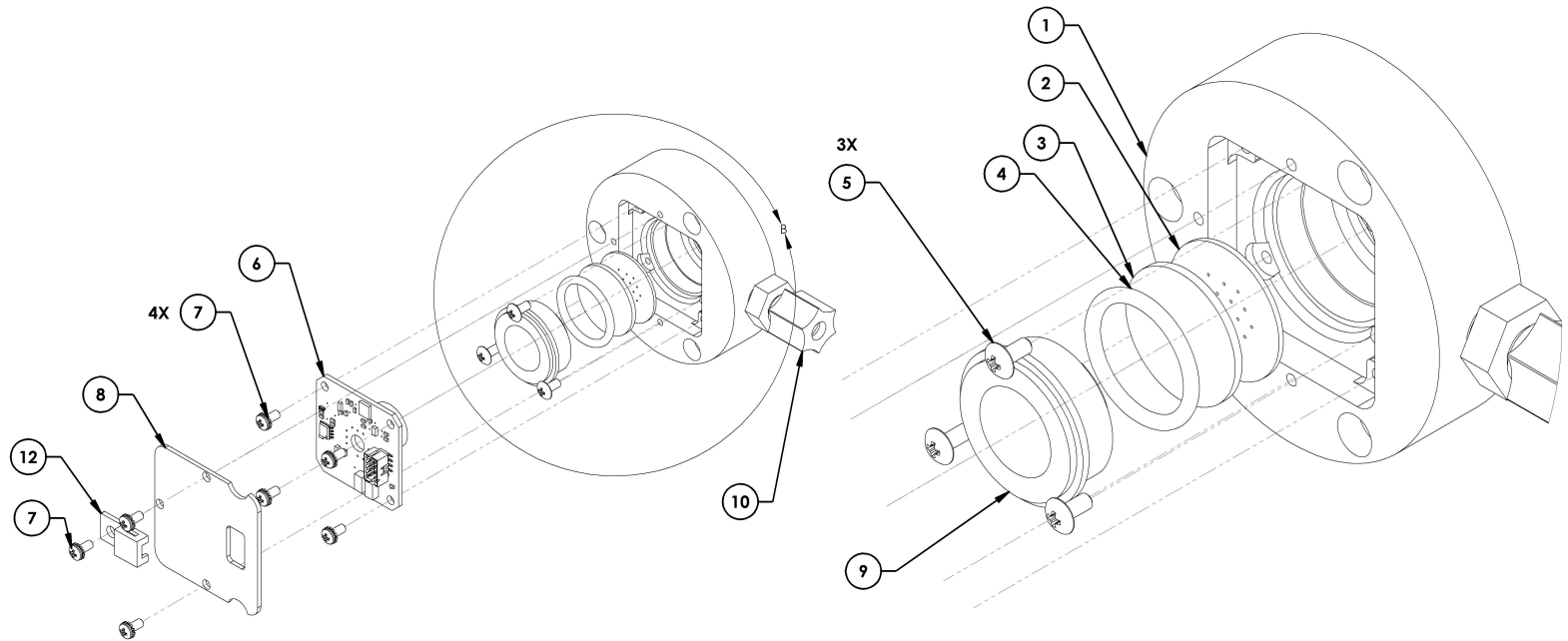
Item	Description	P/N	Qty	Component
1	REACTION CHAMBER	8786	1	Spare Part
2	LIGHT TRAP	8787	1	Spare Part
3	O-RING, .1864 ID, 2.004 OD, .070 CSD, VITON	4808	1	Spare Part
4	ASSY, DETECTOR, LAMP, 43iQ	116549-00	1	Spare Part
6	LIGHT BAFFLE	8788	1	Spare Part
7	O-RING, 1.799 ID, 2.005 OD, .103 CSD, VITON	4829	1	Spare Part
8	ASSY, CHAMBER, INLET	101569-00	1	Spare Part
9	SCREW, CAP, SOCKET HEAD, FULL THREAD, #8-32, 1.125, SS	8484	3	Spare Part
10	ASSY, HEATER, 43iQ	115946-01	1	Spare Part
13	THERMAL COMPOUND, DOW TYPE 340	5726	A/R	Spare Part
17	FTG, MALE CONN	8599	1	Spare Part
5	SCREW, CAP, SOCKET HEAD, FULL THREAD, #8-32, 3/4, SS	21-000826-0012	3	Not Sellable
11	SCREW, PAN HEAD, PHILLIPS, W/EXT WASHER, FT, #4-40, 3/8, SS	21-005492-0006	4	Not Sellable
14	TAPE, SEALANT, PIPE THREAD, 1/4 WIDE, .0035 THICK	5766	A/R	Not Sellable
15	SCREW, PAN HEAD, PHILLIPS, W/INT WASHER, FT, #4-40, 1/4, SS	110519-00	1	Not Sellable
16	SCREW, MACHINE, FLAT HEAD, PHILLIPS, FULL THD, #6-32, 1/4, SS	21-004277-0004	2	Not Sellable

43iQ PMT Housing Assembly



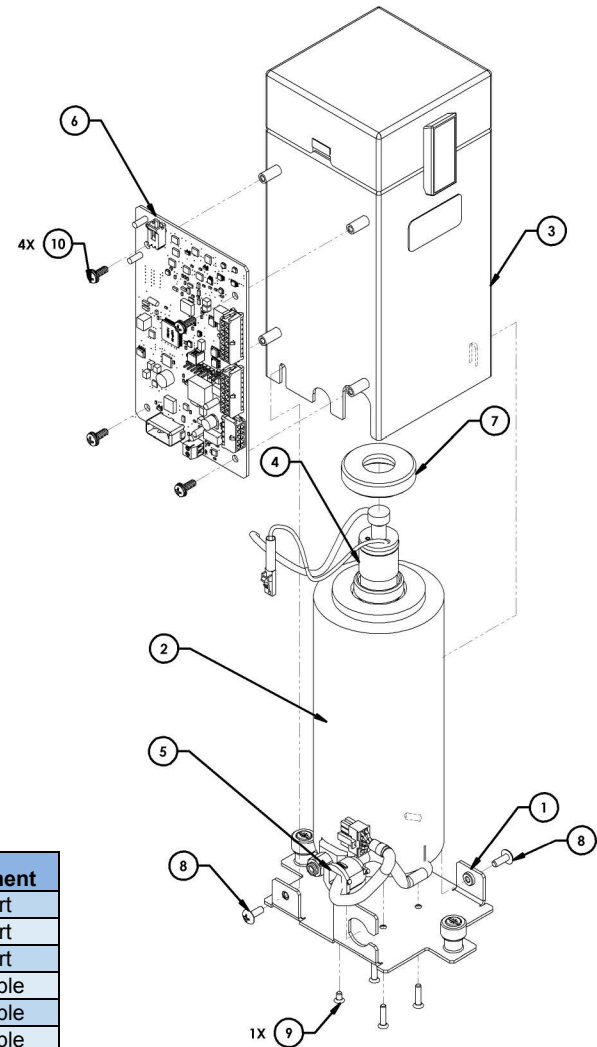
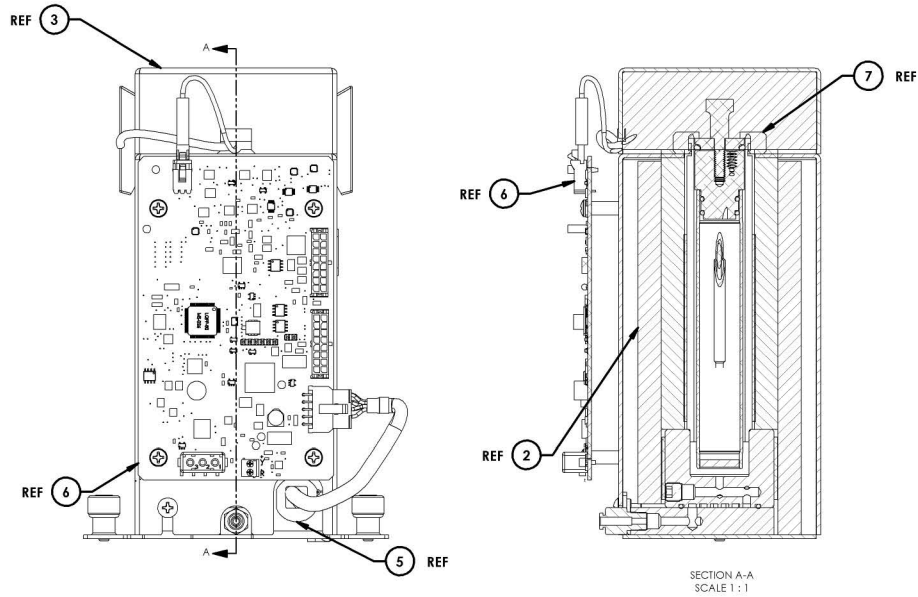
Item	Description	P/N	Qty	Component
1	HOUSING, P.M.T.	8818	1	Spare Part
3	PHOTO MULTIPLIER TUBE, 43	113507-00	1	Spare Part
4	CLAMP, FILTER	8824	1	Spare Part
5	FILTER DETECTOR	8852	1	Spare Part
6	O-RING, 1.114 ID, 1.254 OD, .070 CSD, VITON (2/Pk)	4831	1	Spare Part
8	ASSEMBLY LED	8890	1	Spare Part
10	ASSY, BASE, PMT	100727-00	1	Spare Part
11	SCREW, SS. PAN HD, #6-32 x 1/4"	101405-00	2	Spare Part
2	P.M TUBE - SHIELD	8809	1	Not Sellable
7	SCREW, MACHINE, SLOTTED	8490	2	Not Sellable
9	SCREW, SET, CUP POINT, SOCKET, #6-32, 3/8, SS	7845	1	Not Sellable
12	SCREW, PAN HD, EXT SEMS, PHL, 4-40 X 1/4, SS, 18-8	102186-00	3	Not Sellable

43iQ Detector Assembly



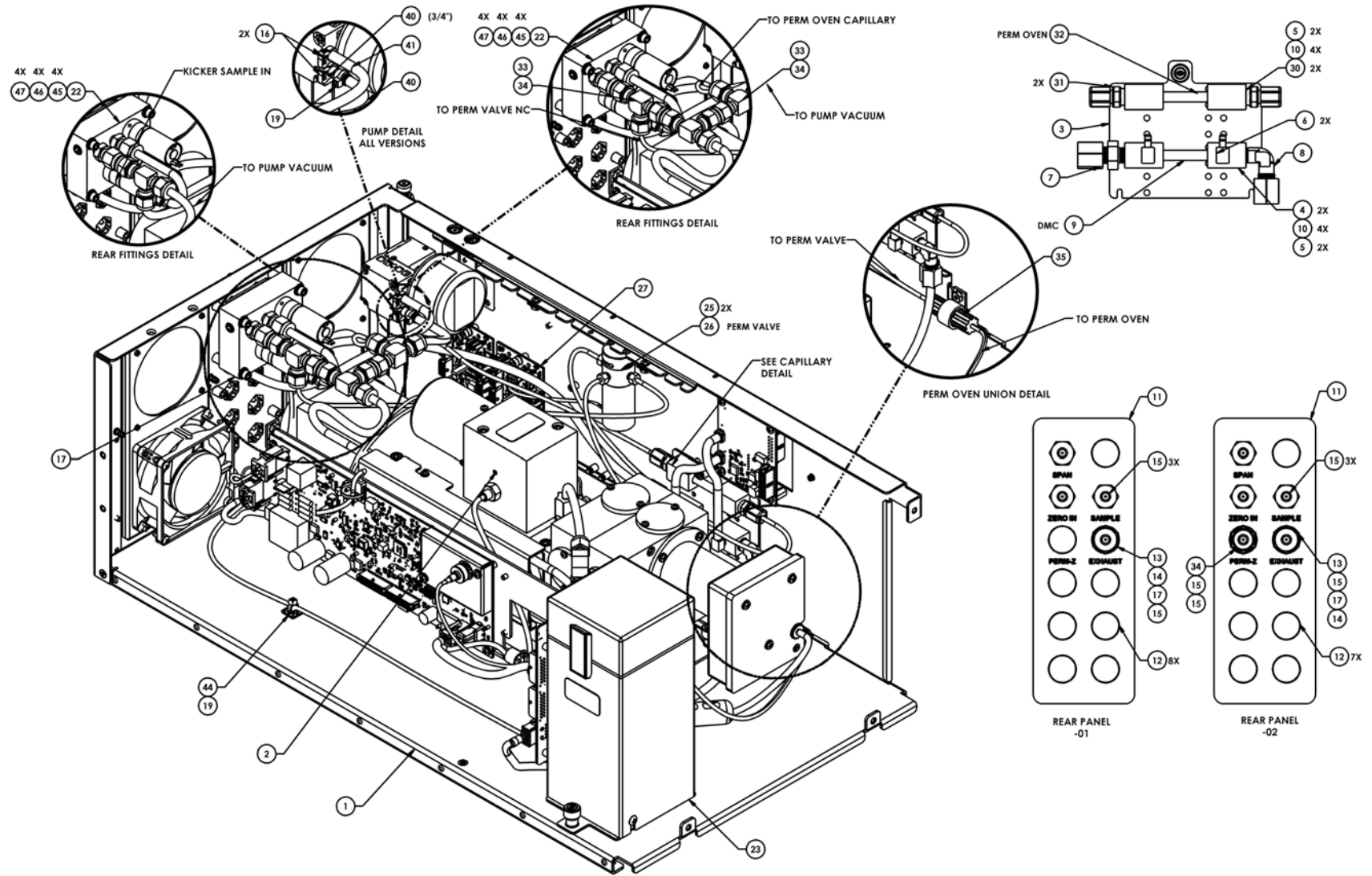
Item	Description	P/N	Qty	Component
1	HOUSING, DETECTOR, UV LAMP, 43iQ	116541-00	1	Spare Part
2	ATTENUATOR	8812	1	Spare Part
3	DIFFUSER	8851	1	Spare Part
4	O-RING, .799 ID, 1.005 OD, .103 CSD, VITON (2/Pk)	4830	1	Spare Part
6	PCB ASSY, 43iQ PHOTOTUBE DETECT	116899-00	1	Spare Part
8	PLATE, COVER, DETECTOR, 43iQ	116550-00	1	Spare Part
9	CLAMP, SEAL, 43iQ	116542-00	1	Spare Part
10	FTG, MALE CONN	8599	1	Spare Part
5	SCREW, MACHINE, TRUSS HD, PHILLIPS, FULL THD, #4-40, 1/4, SS	21-012326-0004	3	Not Sellable
7	SCREW, PAN HEAD, PHILLIPS, W/EXT WASHER, FT, #4-40, 1/4, SS	21-005492-0004	7	Not Sellable
11	TAPE, SEALANT, PIPE THREAD, 1/4 WIDE, .0035 THICK	5766	A/R	Not Sellable
12	MOUNT, ANCHOR, CABLE TIE, #8 SCREW, WHITE	5390	1	Not Sellable

43iQ PermOven DMC 114741-00



Item	Description	P/N	Qty	Component
4	ASSY, THERMISTOR CAP W/ PFA PLUG	102029-01	1	Spare Part
6	PCB ASSY, PERM OVEN/CONVERTERS	116979-92	1	Spare Part
7	NUT, CLAMP	7980	1	Spare Part
1	PLATE, MOUNTING, PERMEATION OVEN	114647-00	1	Not Sellable
2	ASSY, CORE, PERMEATION OVEN	114682-00	1	Not Sellable
3	ASSY, ENCLOSURE, PERMEATION OVEN, IQ	114645-00	1	Not Sellable
5	BUSHING, STRAIN RELIEF, .30 TO .33 DIA CABLE	114717-00	1	Not Sellable
8	SCREW, MACHINE, TRUSS HD, PHILLIPS, FULL THD, #6-32, 3/8, SS	111166-00	2	Not Sellable
9	SCREW, MACHINE, FLAT HEAD, PHILLIPS, UNDERCUT, #4-40, 3/16, SS	5857	1	Not Sellable
10	SCREW, PAN HD, PHILP, SEMS, 6-32, 3/8, SS	102024-00	4	Not Sellable

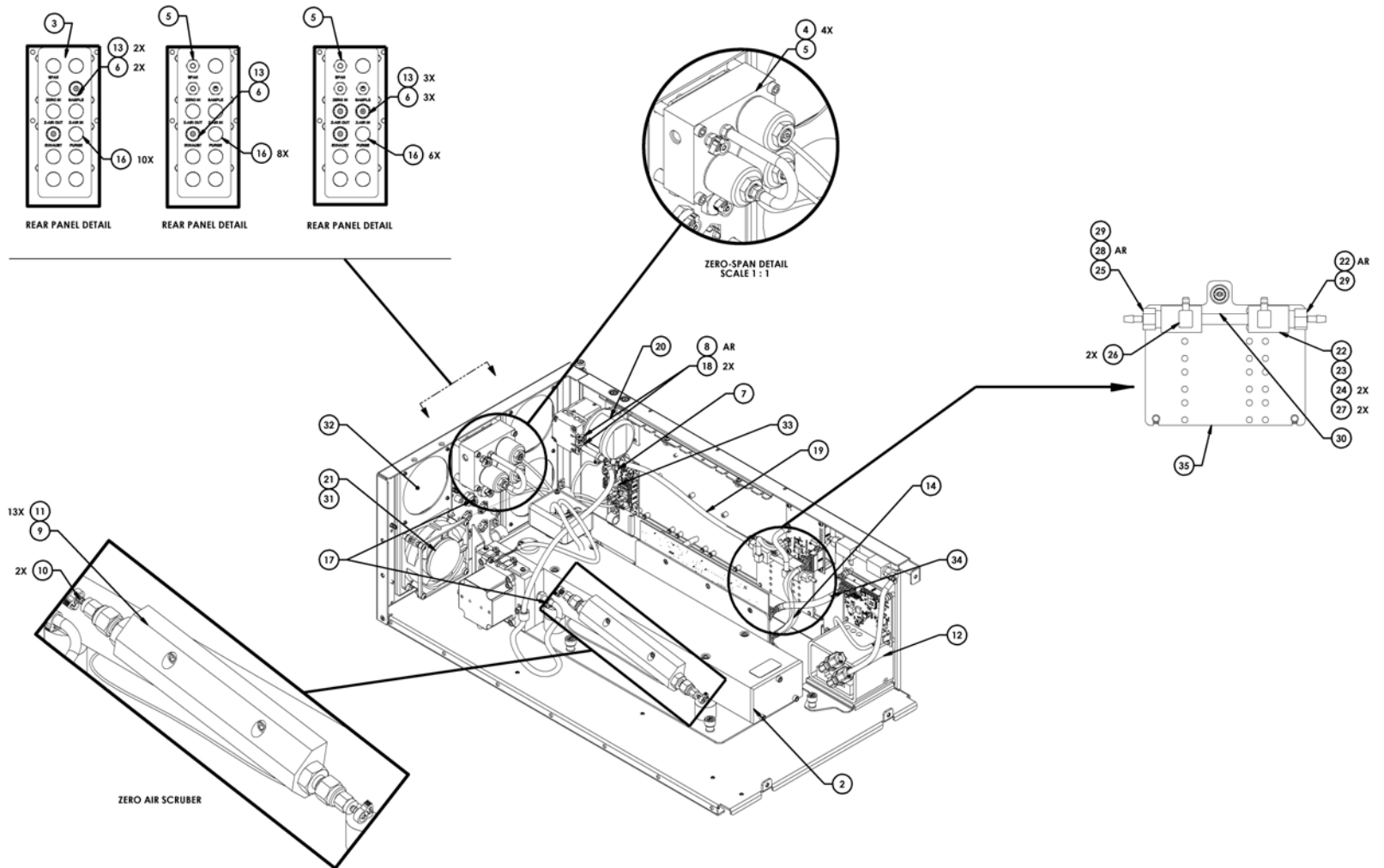
43iQTL Measurement Case



43iQTL Consumable Kit 119478-00	
117872-00	1 x Fan Filter (5/pk)
117712-00	1 x Capillary O-Rings (10/pk)
117615-00	1 x Pump Rebuild Kit
8919	1 x 0.13 Capillary

ITEM	DESCRIPTION	P/N	Qty	Component
9	CAPILLARY, 1.5" LG, .013 BORE, YEL/BLU	8919	1	Consumable
33	CAPILLARY, 1.5"LG, .008 BORE, RED	4119	1	Consumable
2	ASSY, DMC, 43IQ-TL	118660-00	1	Spare Part
4	BLOCK, ADAPTER, CAPILLARY TUBE	116051-01	2	Spare Part
6	FITTING, ELBOW, BARB, 1/8T ID, #10-32, SS	32-007390	2	Spare Part
7	FTG, MALE CONN	8599	1	Spare Part
8	FITTING, ELBOW, 1/4T OD, 1/8 NPT, KYNAR	8569	1	Spare Part
12	PLUG, 1/2" HOLE, 1/16 PANEL, METAL	116579-00	10	Spare Part
13	FITTING, BULKHEAD, 1/4 TUBE, 1/8 BARB, SS	116774-00	1	Spare Part
15	CAP, .187 ID, .25 OD	4786	5	Spare Part
18	FITTING, ELBOW, UNION, 1/4T OD, SS	2049.579	1	Spare Part
25	CABLE ASSY, DMC, 15"	114675-15	1	Spare Part
27	ASSY, FITTING, SOLENOID	117207-00	1	Spare Part
28	ASSY, PCB, STEP POL	114664-00	2	Spare Part
29	CABLE ASSY, STEP POL, POWER, 3" (not shown)	116522-03	1	Spare Part
30	CABLE ASSY, STEP POL, SIGNAL, 3" (not shown)	116523-03	1	Spare Part
31	BLOCK, ADAPTER, CAPILLARY TUBE	116051-02	2	Spare Part
37	FITTING, UNION, BULKHEAD, 1/4T OD, 1/8T OD, SS	32-007185	1	Spare Part
38	TUBING, TEFLON, .125 OD, FEP	5510	A/R	Spare Part
39	TUBING, SILICONE, CLEAR, 2MM ID, 2MM WALL	32-008043-0002	A/R	Spare Part
40	TUBING, TEFLON, 1/4 OD, .125ID, FEP	5512	A/R	Spare Part
41	TUBING, SILASTIC, 1/4 OD	5500	A/R	Spare Part
17	ASSY, VALVE MANIFOLD, ZERO-SPAN, SS	119987-00	1	Optional
24	ASSY, PERMEATION OVEN, IQ	114741-00	1	Optional
3	PLATE, CAPILLIARY	117116-00	1	Not Sellable
5	O-RING, 1/4 ID, 3/8 OD, VITON (use 117712-00)	22-000485-3010	4	Not Sellable
10	SCREW, CAP, SOCKET HEAD, FULL THREAD, #6-32, 1/4, SS	21-006265-0004	8	Not Sellable
11	LABEL, REAR PANEL, 43IQ	117144-00	1	Not Sellable
14	WASHER, FLAT, 7/16, ALUM, MIL SPEC	116953-00	2	Not Sellable
16	CLAMP, HOSE, Ø.269-.291	117046-00	2	Not Sellable
19	TIE, CABLE, NYLON, 4"	5385	2	Not Sellable
20	CABLE ASSY, DMC, 24"	114675-24	1	Not Sellable
21	FITTING, UNION, BULKHEAD, 1/4T OD, SS	2049.58	1	Not Sellable
23	SCREW, CAP, SOCKET HEAD, PARTIAL THREAD, #8-32, 1.25, SS	21-000826-0020	4	Not Sellable
26	SCREW, MACHINE, PAN HEAD, PHILLIPS, FULL THD, #4-40, 3/8, SS	21-003720-0006	2	Not Sellable
32	FITTING, 1/8 NPT TO 1/8 COMPRESSION	117196-00	2	Not Sellable
34	FITTING, PORT CONNECTOR, 1/4T OD, SS	2049.798	2	Not Sellable
35	FITTING, TEE, REDUCING, 1/4 X 1/4 X 1/8, TUBE	117197-00	2	Not Sellable
36	FITTING, UNION, 1/8T, PFA	117660-00	1	Not Sellable
42	TUBING, FLEXIBLE, ULTRA CHEMICAL RESISTANT, TYGON	116954-02	A/R	Not Sellable
43	TAPE, SEALANT, PIPE THREAD, 1/4 WIDE, .0032 THICK	22-007258	A/R	Not Sellable
45	MOUNT, CABLE TIE, ADHESIVE BACKED, 4 WAY, 1/2, NYLON	13-000861	1	Not Sellable

48iQ Measurement Case

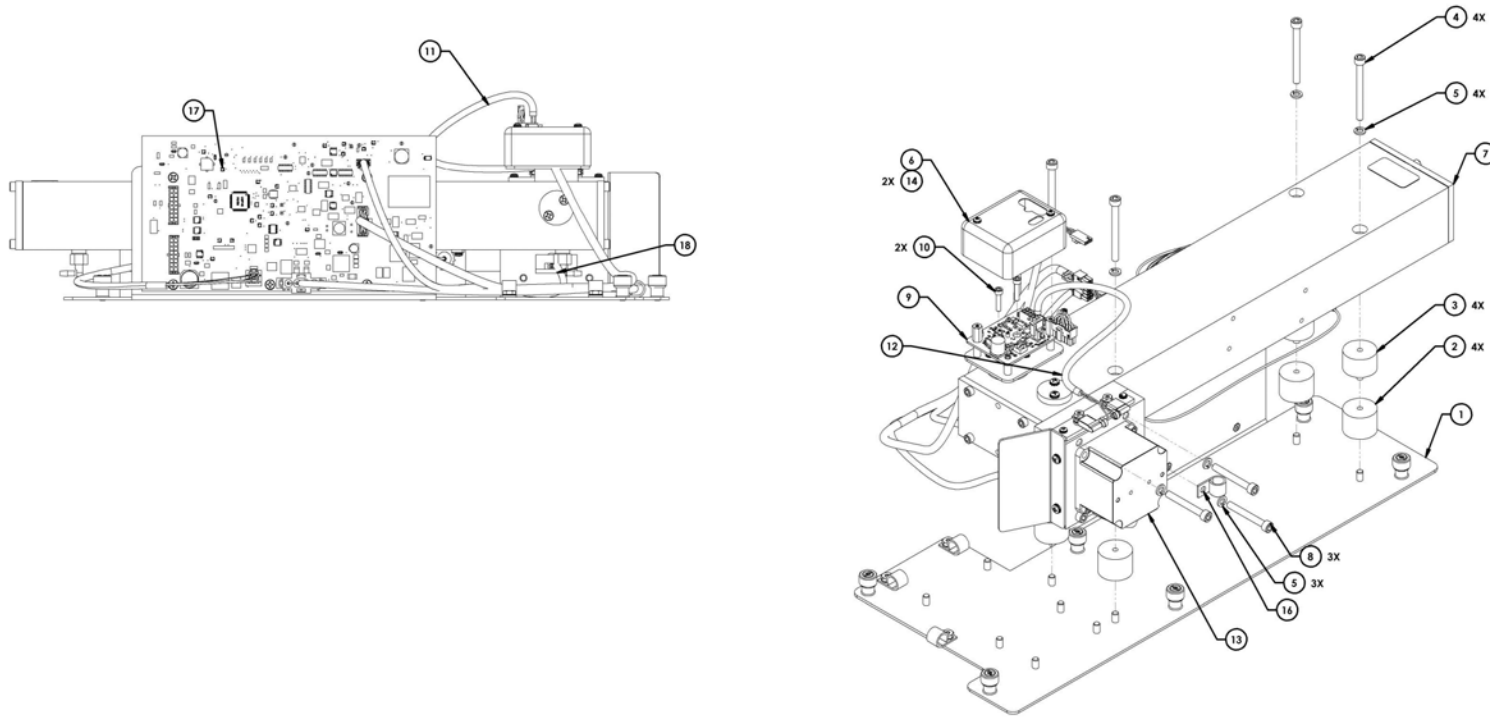


48iQ Spares Kit

	Part Number	Description
GA 48iQ Spares Kits	117867-00	48iQ Consumable Kit
		Includes
	117615-00	1 x Pump Rebuild Kit
	7336	1 x Capillary, 18 Mil
	117712-00	1 x Capillary O-Rings (10/pk)
	115976-00	1 x IR Source
	117872-00	1 x Fan Filter (5/pk)

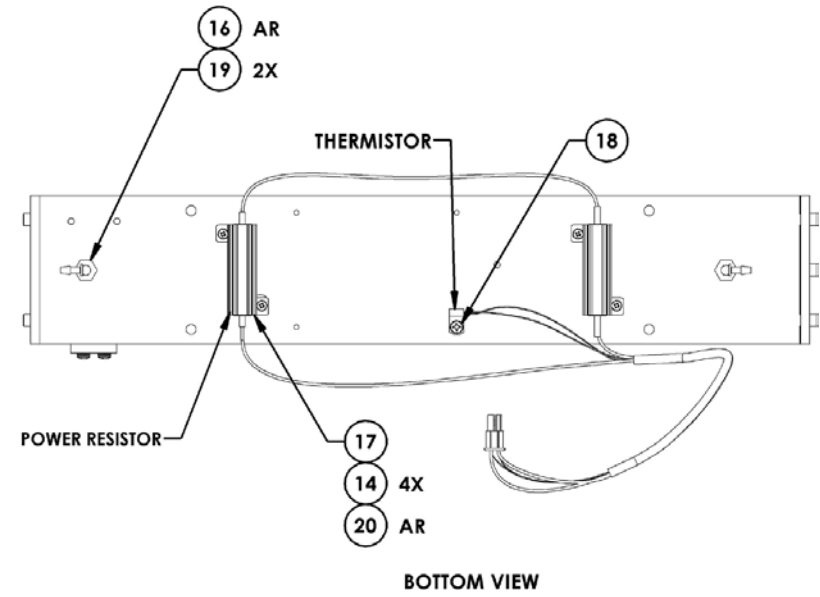
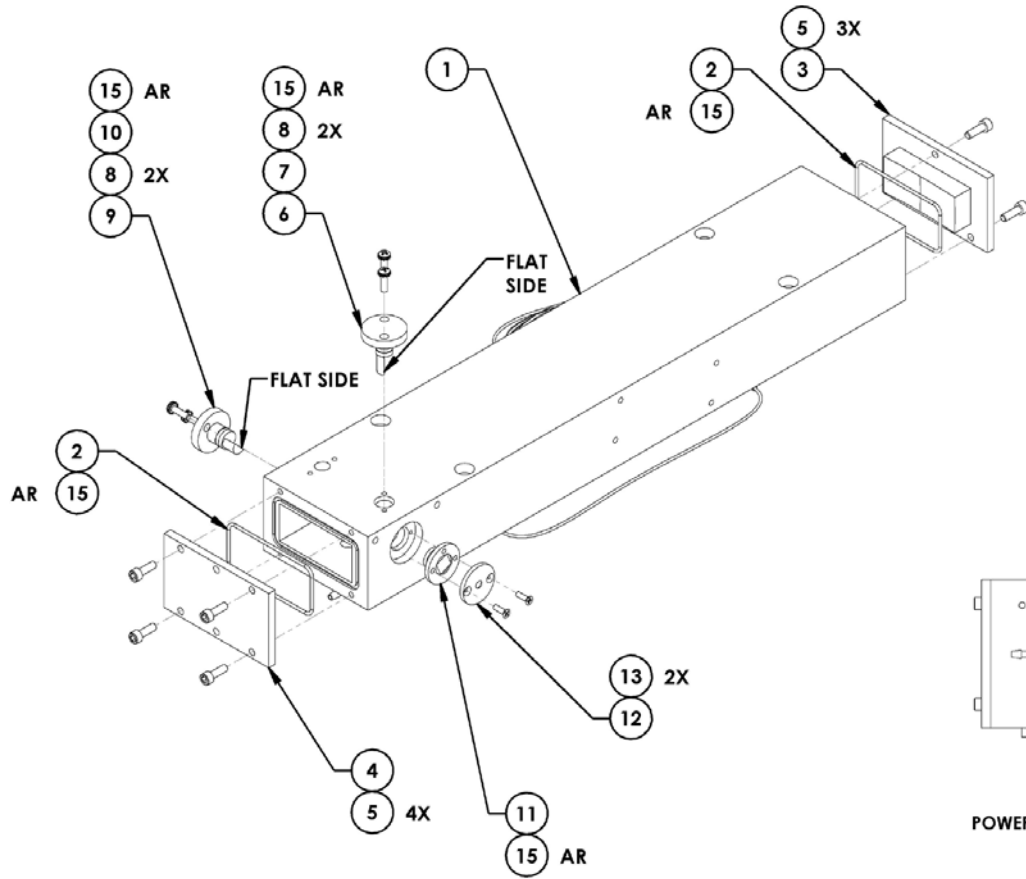
Item	Description	P/N	Qty	Component
30	CAPILLARY, 18 MIL L PURP/BLUE	7336	1	Consumable
2	ASSY, OPTICAL BENCH DMC, 48iQ	115927-01	1	Spare Part
6	FITTING, BULKHEAD, 1/4 TUBE, 1/8 BARB, SS	116774-00	2	Spare Part
7	FITTING, Y CONN, 3 X 1/8 BARB, PVDF	116653-00	1	Spare Part
10	FITTING, TUBE ADAPTER, 1/4T OD, 1/8 BARB, SS	32-003249-0402	2	Spare Part
14	CABLE ASSY, DMC MODULE, 5"	114675-05	1	Spare Part
16	PLUG, 1/2" HOLE, 1/16 PANEL, METAL	116579-00	10	Spare Part
17	CLAMP, HOSE, Ø.228-.256	117128-00	20	Spare Part
19	TUBING, TYGON W/FEP TEFLON LINER, 1/8 ID, 1/16 WALL	B0164KB	A/R	Spare Part
20	ASSY, PUMP, VACUUM, 24VDC, SINGLE	116584-00	1	Spare Part
21	ASSY, FAN, IQ REAR PANEL	116752-00	1	Spare Part
23	BLOCK, CAP TUBE, 10-32 PORT	116051-01	2	Spare Part
25	FITTING, CONN, 1/8 NPT X 1/8 BARB	116651-00	2	Spare Part
26	FITTING, ELBOW, 1/8 NPT X 1/8 BARB, PVDF	116652-00	2	Spare Part
28	TUBING, SILASTIC, 2MM ID 1/16 WALL	32-008043-0002	A/R	Spare Part
31	ELEM, FILTER, 8MM, 30PPI (FAN FILTER MEDIA)	117872-00	1	Spare Part
32	PANEL, FAN, BLANK	116472-00	3	Spare Part
33	PCB ASSY, STEP MODULE 2 BOARD	114664-00	1	Spare Part
34	CABLE ASSY, DMC, 5"	114675-05	1	Spare Part
35	PLATE, CAPILLARY	117116-00	1	Spare Part
5	VALVE MANIFOLD ASSY, ZERO-SPAN	119987-00	1	Optional
9	ASSY, SCRUBBER, ZERO AIR	101867-00	1	Optional
12	ASSY, SENSOR, OXYGEN	117369-00	1	Optional
3	LABEL, REAR PANEL, 48iQ, 410iQ	116912-00	1	Not Sellable
4	SCREW, CAP, SOCKET HEAD, PARTIAL THREAD, #8-32, 1.25, SS	21-000826-0020	4	Not Sellable
8	TUBING, TYGON 2375, 1/8ID, 1/16 WALL	116954-02	1	Not Sellable
11	SCREW, CAP, SOCKET HEAD, FULL THREAD, #8-32, 3/4, SS	21-000826-0012	13	Not Sellable
13	WASHER, FLAT, 7/16, ALUM, MIL SPEC	116953-00	2	Not Sellable
18	CLAMP, HOSE, Ø.269-.291	117046-00	2	Not Sellable
22	SCREW, CAP, SOCKET HEAD, FULL THREAD, #6-32, 1/4, SS	21-006265-0004	4	Not Sellable
24	O-RING, VITON ¼ X 3/8 (use 117712-00)	22-000485-3010	2	Not Sellable
27	SCREW, MACHINE, PAN HEAD, PHILLIPS, FULL THD, #6-32, 3/8, SS	21-003721-0006	2	Not Sellable
29	TAPE, SEALANT, PIPE THREAD, 1/4 WIDE, .0032 THICK	22-007258	A/R	Not Sellable

48iQ Optical Bench DMC 115927-01 - EXCH



Item	Description	P/N	Qty	Component
9	ASSY, PREAMP, 48/410iQ	115943-00	1	Spare Part
11	CABLE ASSY, PREAMP, 48/410iQ	115991-00	1	Spare Part
13	ASSY, MOTOR, 48iQ (includes wheel)	115924-01	1	Spare Part
17	ASSY, DMC OPTICAL BENCH CONTROLLER	115938-90	1	Spare Part
18	ASSY, OPTICAL SWITCH ASSEMBLY	101714-00	1	Spare Part
1	ASSY, BRACKET, DMC, 48/410iQ	115931-00	1	Not Sellable
2	MOUNT, SHOCK, F/F, 1" OD X .75, 10-32	115996-00	4	Not Sellable
3	MOUNT, SHOCK, M/F, 1" OD X .625, 10-32	115995-00	4	Not Sellable
4	SCREW, CAP, SOCKET HEAD, PARTIAL THREAD, #10-32, 2.00, SS	21-000832-0032	4	Not Sellable
5	WASHER, LOCK, HELICAL SPRING, #10, SS	7941	7	Not Sellable
6	COVER, PREAMP, 48/410iQ	116308-00	1	Not Sellable
7	ASSY, BENCH, OPTICAL, 48iQ	115977-00	1	Not Sellable
8	SCREW, CAP, SOCKET HEAD, PARTIAL THREAD, #10-32, 1.50, SS	21-012272-0026	3	Not Sellable
10	SCREW, CAP, SOCKET HEAD, FULL THREAD, #6-32, 5/8, SS	21-000818-0010	2	Not Sellable
12	CABLE ASSY, SOURCE, IR, 48/410iQ	115990-00	1	Not Sellable
14	SCREW, PAN HEAD, PHILLIPS, W/EXT WASHER, FT, #4-40, 1/4, SS	21-005492-0004	2	Not Sellable
16	CABLE HOLDER, 3/8, FASTENER MOUNT, FLEXIBLE J LOOP	113135-00	1	Not Sellable

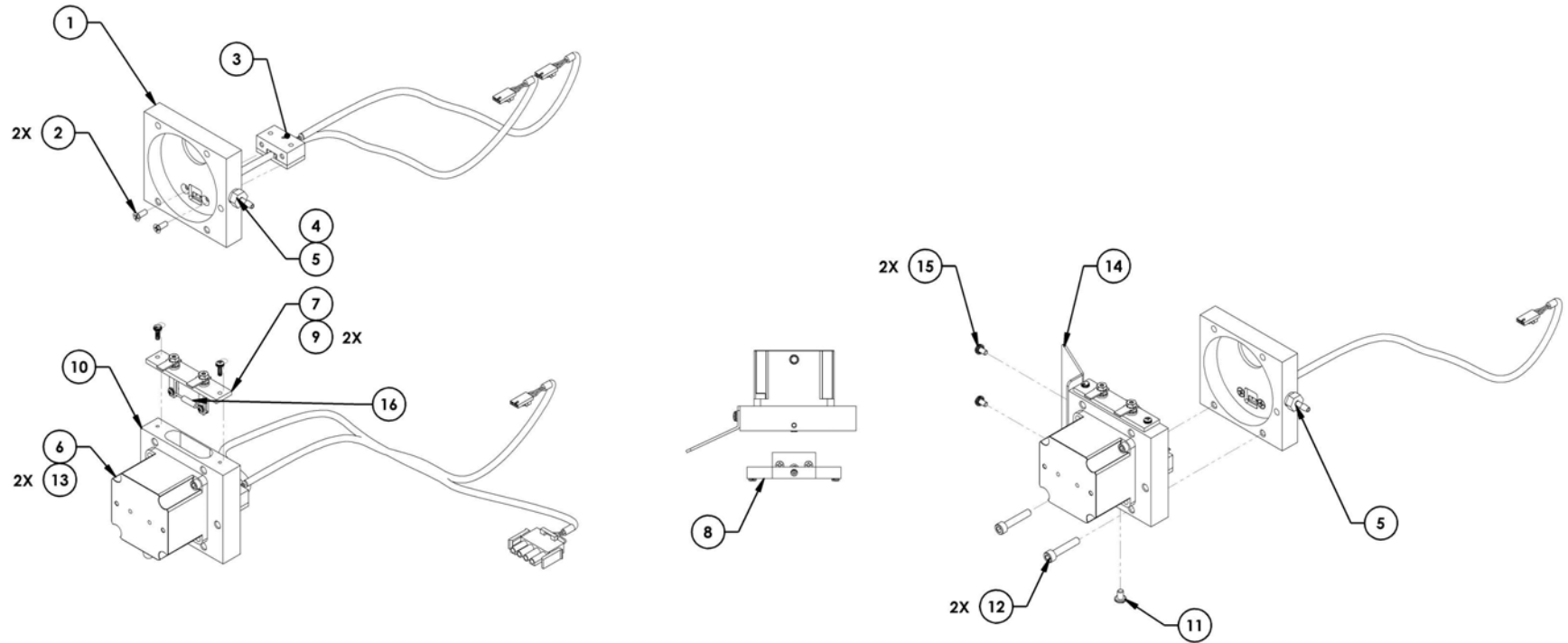
48iQ Optical Bench Assembly



48iQ Optical Bench Assembly

Item	Description	P/N	Qty	Component
1	OPTICAL BENCH	102016-00	1	Spare Part
2	O-RING, -.035, FLOUROCARBON RUBBER	4807	2	Spare Part
3	MIRROR, RELAY, ALUMINUM, ANODIZED	7411	1	Spare Part
4	MIRROR, FIELD, ALUMINUM, ANODIZED	7412	1	Spare Part
6	MIRROR, ENTRANCE, ALUMINUM, ANODIZED	7413	1	Spare Part
7	O-RING, 1/4 ID, 1/16 CS, NITRILE RUBBER (10/Pk)	4818	1	Spare Part
9	MIRROR. EXIT, ALUMINUM, ANODIZED	7414	1	Spare Part
10	O-RING, .301ID, .441 OD, .070CSD 2-011 (5/Pk)	4826	1	Spare Part
11	ASSY, FILTER, OPTICAL	7380	1	Spare Part
12	APERTURE	7415	1	Spare Part
15	GREASE, HIGH-VACUUM	5771	AR	Spare Part
19	FITTING, ELBOW, 1/8 NPT X 1/8 BARB, PVDF	116652-00	2	Spare Part
20	THERMAL COMPOUND, DOW TYPE 340	5726	AR	Spare Part
5	SCREW, CAP, SOCKET HEAD, FULL THREAD, #8-32, 1/2, SS	21-000826-0008	7	Not Sellable
8	SCREW, PAN HEAD, PHILLIPS, W/EXT WASHER, FT, #6-32, 1/2, SS	21-005087-0008	4	Not Sellable
13	SCREW, MACHINE, FLAT HEAD, PHILLIPS, FULL THD, #4-40, 3/8, SS	21-005715-0006	2	Not Sellable
14	SCREW, PAN HEAD, PHILLIPS, W/EXT WASHER, FT, #4-40, 3/8, SS	21-005492-0006	4	Not Sellable
16	TAPE, SEALANT, PIPE THREAD, 1/4 WIDE, .0035 THICK	5766	AR	Not Sellable
17	ASSY, HEATER, 48/410iQ	115946-00	1	Not Sellable
18	SCREW, PAN HEAD, PHILLIPS, W/EXT WASHER, FT, #6-32, 3/8, SS	21-005087-0006	1	Not Sellable

48iQ Motor Assembly

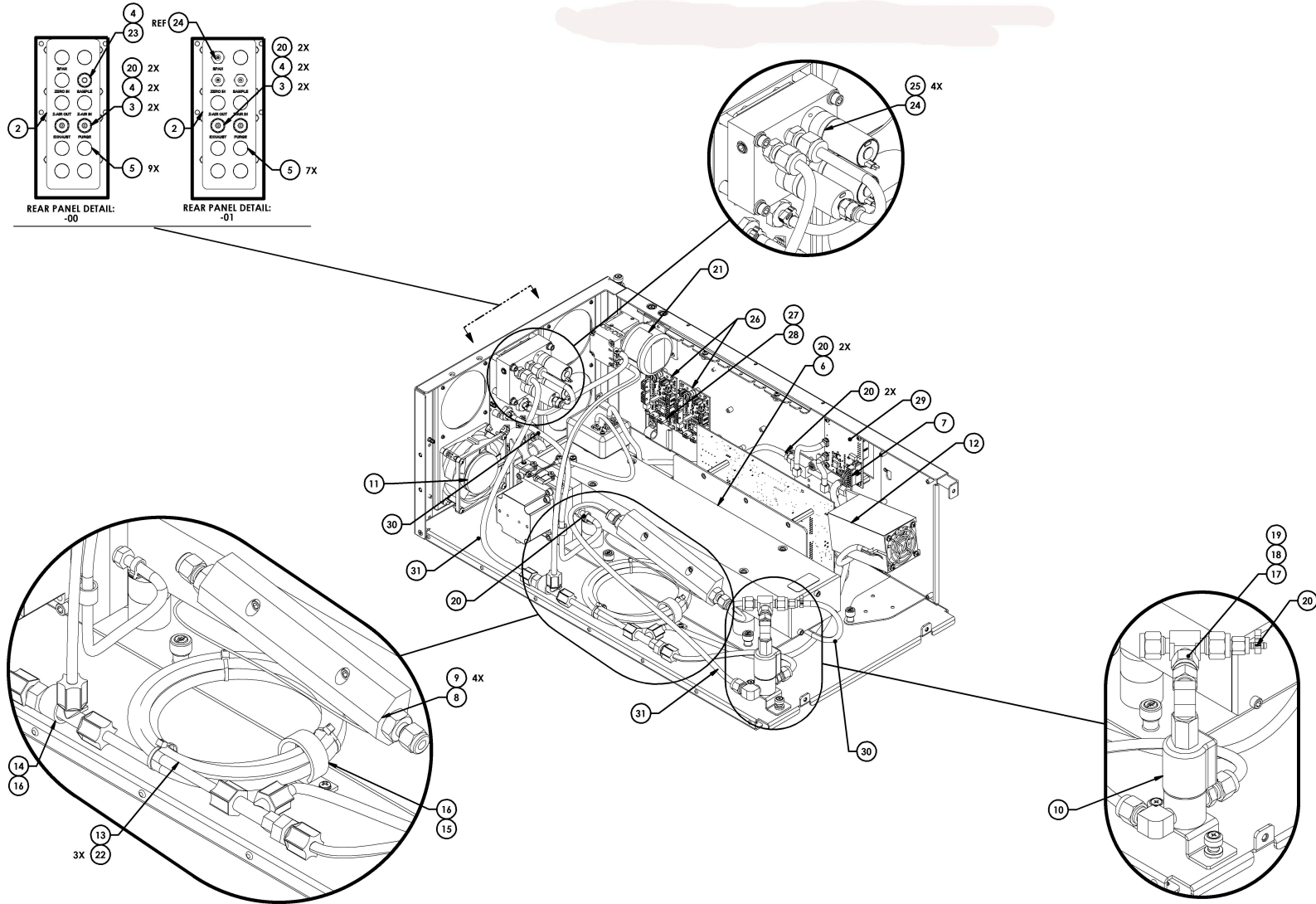


Item	Description	P/N	Qty	Component
16	IR SOURCE	7361	1	Consumable
1	WHEEL HOUSING	7544	1	Spare Part
3	ASSY, OPTICAL SWITCH	101714-00	1	Spare Part
6	MOTOR, STEP, NEMA 23	115925-00	1	Spare Part
7	ASSY, SOURCE, IR, 48/410iQ	115976-00	1	Spare Part
8	WHEEL, FILTER, TESTED, CO	7358	1	Spare Part
2	SCREW, MACHINE, FLAT HEAD, PHILLIPS, FULL THD, #6-32, 3/8,SS	21-004277-0006	2	Not Sellable
4	TAPE, SEALANT, PIPE THREAD, 1/4 WIDE, .0035 THICK	5766	AR	Not Sellable
5	ORIFICE, 1/8 NPT, BARB, NYLON, .0100"ID	116768-0100	1	Not Sellable
9	SCREW, PAN HEAD, PHILLIPS, W/EXT WASHER, #4-40, 3/8, SS	102175-00	2	Not Sellable
10	PLATE, MOTOR, 48/410iQ	116246-00	1	Not Sellable
11	SCREW, MACHINE, PAN HEAD, PHILLIPS, FULL THD, #8-32, 1/4, SS	41453	1	Not Sellable
12	SCREW, CAP, SOCKET HEAD, FULL THREAD, #10-32, 1.00, SS	21-000832-0016	2	Not Sellable
13	SCREW, CAP, SOCKET HEAD, FULL THREAD, #8-32, 1/2, SS	21-000826-0008	2	Not Sellable
14	PLATE, DEFLECTOR, AIR	116758-00	1	Not Sellable
15	SCREW, PAN HEAD, PHILLIPS, W/INT WASHER, FT, #6-32, 1/4, SS	109488-00	2	Not Sellable

Item 8



48iQTL Measurement Case

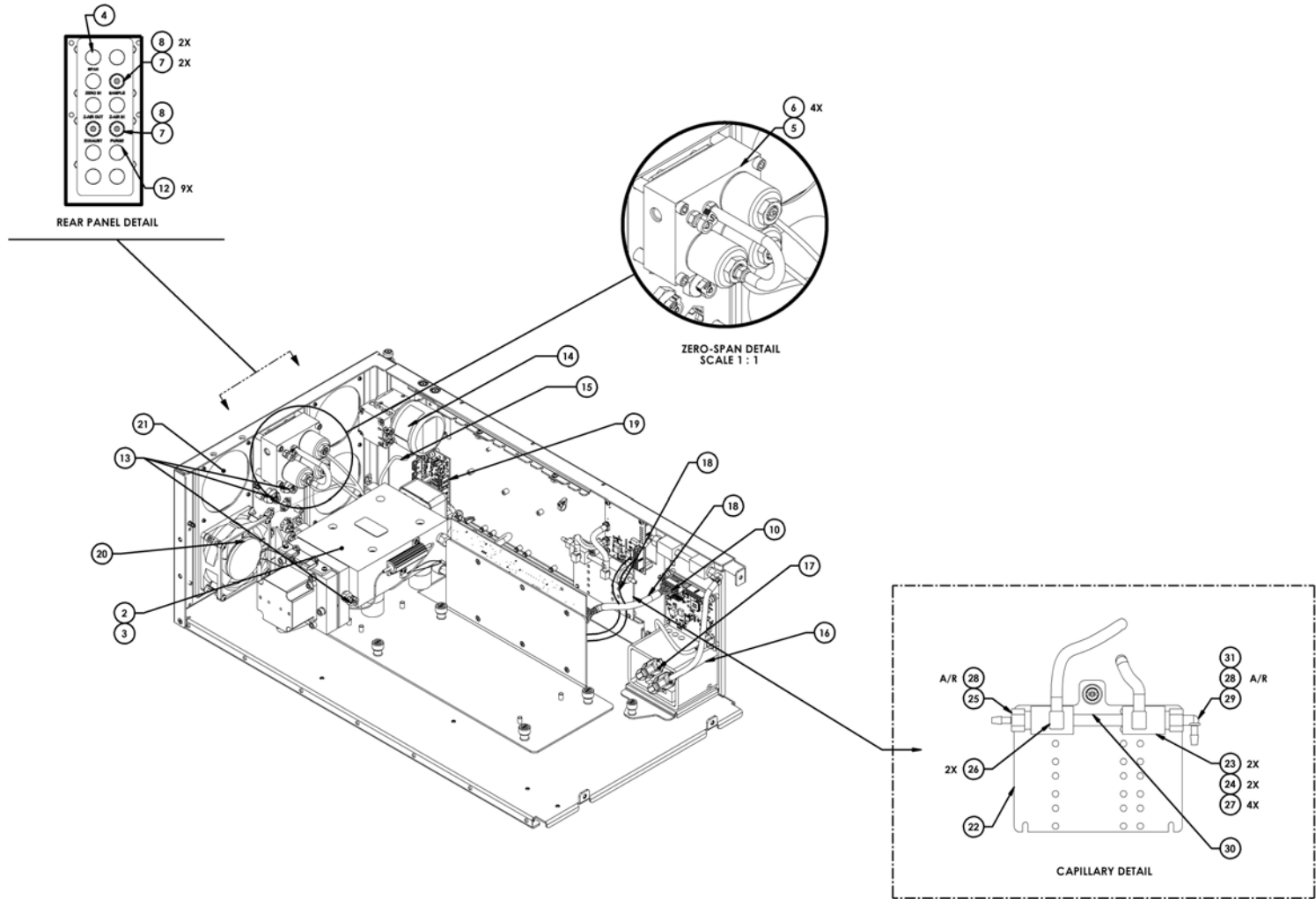


48iQTL Spares Kit

48iQTL Consumable Kit 119473-00	
115976-00	1 x IR Source
117615-00	1 x Pump Rebuild Kit
117712-00	1 x Capillary O-Rings (10/pk)
117872-00	1 x Fan Filter (5/pk)
8919	1 x Capillary, 13 Mil

ITEM	DESCRIPTION	P/N	Qty	Component
3	FITTING, BULKHEAD, 1/4 TUBE, 1/8 BARB, SS	116774-00	2	Spare part
5	PLUG, 1/2" HOLE, 1/16 PANEL, METAL	116579-00	9	Spare part
6	ASSY, DMC, 48iQ-TL	118858-00	1	Spare part
7	CABLE ASSY, DMC MODULE, 5" (not shown)	114675-05	1	Spare part
8	ASSY, SCRUBBER, ZERO AIR	101867-00	1	Spare part
10	ASSY, SOLENOID VALVE, ZERO-MIX	117792-00	1	Spare part
11	Cooling Fan Assy	116752-00	1	Spare part
12	HEATER ASSY, ENCLOSURE, 48iQ-TL	119025-00	1	Spare part
13	PERMEATION DRYER ASSEMBLY	13370	1	Spare part
18	FITTING, TEE, UNION, 1/4T OD, SS	32-002983	1	Spare part
19	FITTING, TUBE ADAPTER, 1/4T OD, 1/8 BARB, SS	32-003249-0402	1	Spare part
21	Single-head Pump	116584-00	1	Spare part
26	ASSY, PCB, STEP POL	114664-00	2	Spare part
27	CABLE ASSY, STEP POL, POWER, 3" (not shown)	116522-03	1	Spare part
28	CABLE ASSY, STEP POL, SIGNAL, 3" (not shown)	116523-03	1	Spare part
29	FLOW/PRESSURE BOARD PCB	117613-92	1	Spare part
31	TUBING, TEFLON, 1/4 OD, 1/8 ID	5512	A/R	Spare part
24	ASSY, VALVE MANIFOLD, ZERO-SPAN, SS	119987-00	1	Optional
2	LABEL, REAR PANEL, 48iQ, 410iQ	116912-00	1	Not Sellable
4	WASHER, FLAT, 7/16, ALUM, MIL SPEC	116953-00	3	Not Sellable
9	SCREW, CAP, SOCKET HEAD, FULL THREAD, #8-32, 3/4, SS	21-000826-0012	4	Not Sellable
14	CABLE HOLDER, 5/8, FASTENER MOUNT, FLEXIBLE J LOOP	117140-00	1	Not Sellable
15	CABLE HOLDER, 1.0, FASTENER MOUNT, FLEXIBLE J LOOP	113136-00	1	Not Sellable
16	SCREW, PAN HEAD, PHILLIPS, W/INT WASHER, FT, #6-32, 3/8, SS	102024-00	2	Not Sellable
17	FITTING, PORT CONNECTOR, 1/4T OD, SS	2049.798	1	Not Sellable
20	CLAMP, HOSE, Ø.228-.256	117128-00	8	Not Sellable
22	TIE, CABLE, NYLON, 4"	5385	3	Not Sellable
23	FITTING, UNION, BULKHEAD, 1/4T OD, SS	2049.58	1	Not Sellable
25	SCREW, CAP, SOCKET HEAD, PARTIAL THREAD, #8-32, 1.25, SS	21-000826-0020	4	Not Sellable
30	TUBING, FLEXIBLE, ULTRA CHEMICAL RESISTANT, TYGON	116954-02	A/R	Not Sellable

410iQ Measurement Case



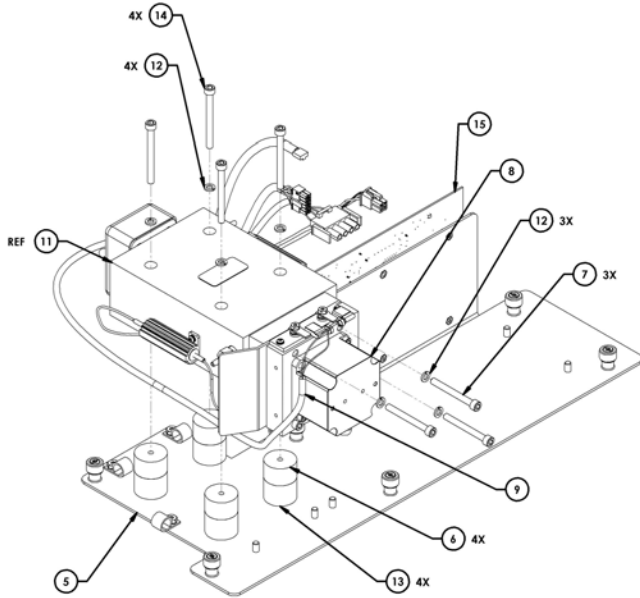
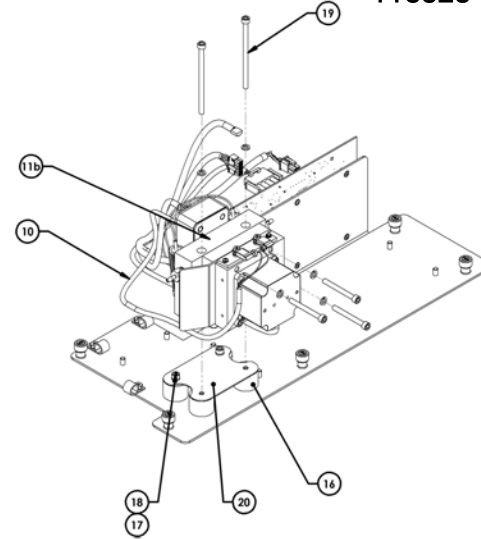
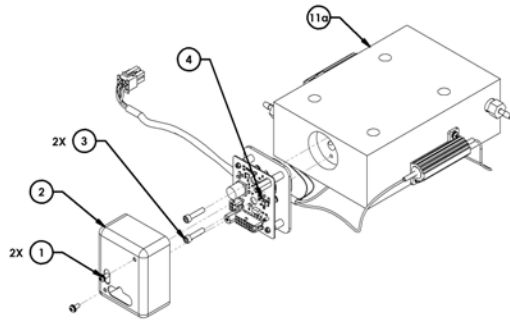
410iQ Spares Kit

	Part Number	Description
GA 410iQ Spares Kits	117868-00	410iQ Consumable Kit
		Includes
	117615-00	1 x Pump Rebuild Kit
	7336	1 x Capillary, 18 Mil
	117712-00	1 x Capillary O-Rings (10/pk)
	115976-00	1 x IR Source
	117872-00	1 x Fan Filter (5/pk)

Item	Description	P/N	Qty	Component
30	Capillary, 18 MIL L Purp/Blue	7336	1	Consumable
2	ASSY, DMC, 410iQ, 5" CELL (standard)	115928-01	1	Spare Part
3	ASSY, DMC, 410iQ, 0.2" CELL (high level)	115928-02	1	Spare Part
7	FITTING, BULKHEAD, 1/4 TUBE, 1/8 BARB, SS	116774-00	3	Spare Part
10	CABLE ASSY, DMC MODULE, 5"	114675-05	1	Spare Part
12	PLUG, 1/2" HOLE, 1/16 PANEL, METAL	116579-00	9	Spare Part
13	CLAMP, HOSE, Ø.228-.256	117128-00	8	Spare Part
14	Assy, Pump, Vacuum, 24VDC, Single	116584-00	1	Spare Part
15	TUBING, TYGON W/FEP TEFLON LINER, 1/8"ID, 1/16" WALL	B0164KB	A/R	Spare Part
18	CABLE ASSY, DMC MODULE, 8"	114675-08	2	Spare Part
19	PCB, ASSY, STEP MODULE 2 BOARD	114664-00	1	Spare Part
20	ASSY, FAN, IQ REAR PANEL	116752-00	1	Spare Part
21	PANEL, FAN, BLANK	116472-00	3	Spare Part
23	Block, Cap Tube, 10-32 Port	116051-01	2	Spare Part
25	Fitting, Conn, 1/8NPT x 1/8Barb	116651-00	2	Spare Part
26	FTG, Elbow, SWVL, 1/8Barb 10-32 SS	32-007390	2	Spare Part
29	HOSE, SILICONE, 2MM ID X 2MM WAL	32-008043-0002	A/R	Spare Part
31	FITTING, ELBOW, 1/8NPT X 1/8BARB	116652-00	1	Spare Part
5	VALVE MANIFOLD ASSY, ZERO-SPAN	119987-00	1	Optional
16	ASSY, SENSOR, OXYGEN	117369-00	1	Optional
4	LABEL, REAR PANEL, 48iQ, 410iQ	116912-00	1	Not Sellable
6	SCREW, CAP, SOCKET HEAD, PARTIAL THREAD, #8-32, 1.25, SS	21-000826-0020	4	Not Sellable
8	WASHER, FLAT, 7/16, ALUM, MIL SPEC	116953-00	3	Not Sellable
17	FITTING, REDUCING UNION, 1/4T, 1/8T, KYNAR	118097-00	1	Not Sellable
22	Plate, Capillary	117116-00	1	Not Sellable
24	O-Ring, Viton, ¼ x 3/8 (use 117712-00)	22-000485-3010	2	Not Sellable
27	Screw, CAP, SCH, FT, #6-32, ¼, SS	21-006265-0004	4	Not Sellable
28	Tape, Teflon ¼ wide	22-007258	A/R	Not Sellable

410iQ Optical Bench DMC

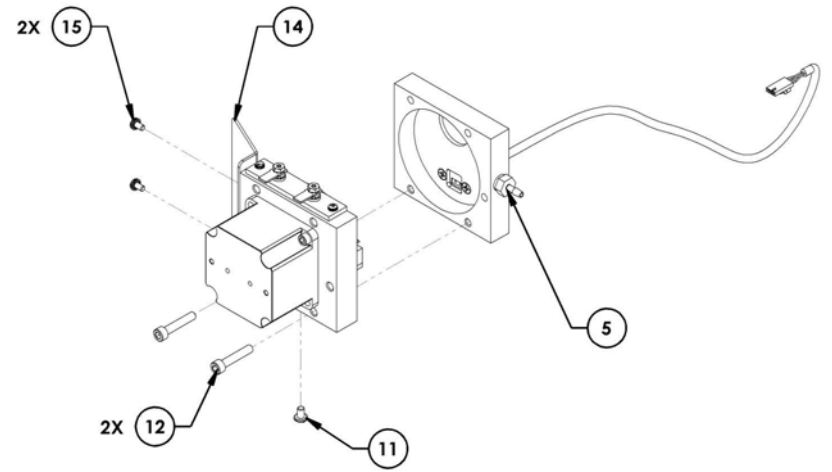
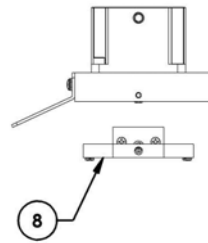
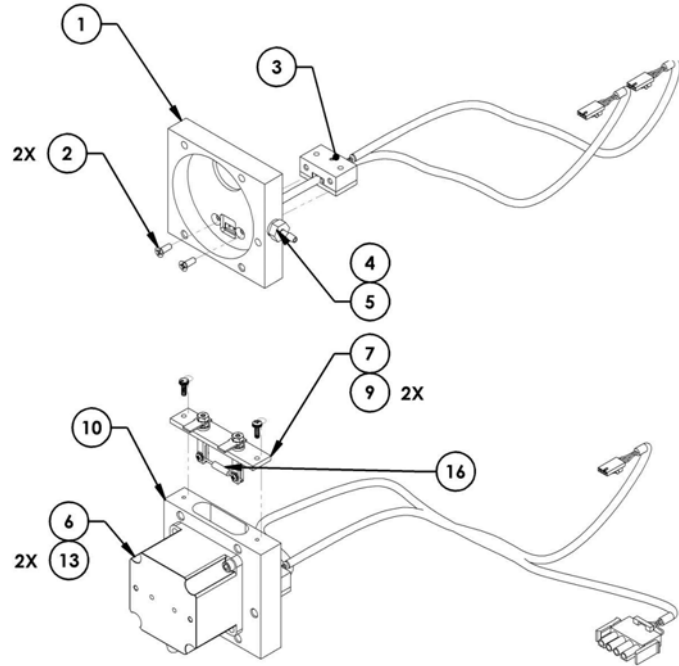
High Level
115928-02 - EXCH



Standard
115928-01 - EXCH

Item	Description	P/N	Qty	Component
4	ASSY, PREAMP, 48/410iQ	115943-00	1	Spare Part
10	CABLE ASSY, PREAMP, 48/410iQ	115991-00	1	Spare Part
12	WASHER, LOCK, HELICAL SPRING, #10, SS	7941	7	Spare Part
15a	ASSY, 48/410iQ OPT BENCH CNTRLR 410iQ	115938-91	1	Spare Part
15b	ASSY, PCBA, DMC, TESTED 410iQHL	115938-92	1	Spare Part
1	SCREW, PAN HEAD, PHILLIPS, W/EXT WASHER, FT, #4-40, 1/4, SS	21-005492-0004	2	Not Sellable
2	COVER, PREAMP, 48/410iQ	116308-00	1	Not Sellable
3	SCREW, CAP, SOCKET HEAD, FULL THREAD, #6-32, 5/8, SS	21-000818-0010	2	Not Sellable
5	ASSY, BRACKET, DMC, 48/410iQ	115931-00	1	Not Sellable
6	MOUNT, SHOCK, M/F, 1" OD X .625, 10-32	115995-00	4	Not Sellable
7	SCREW, CAP, SOCKET HEAD, PARTIAL THREAD, #10-32, 1.75, SS	100814-00	3	Not Sellable
8	ASSY, MOTOR, 410iQ (includes wheel)	115924-02	1	Not Sellable
9	CABLE ASSY, SOURCE, IR, 48/410iQ	115990-00	1	Not Sellable
11a	ASSY, CELL, 410iQ, 5IN	115989-00	1	Not Sellable
11b	ASST, CELL, 410iQ, .2IN	115988-00	1	Not Sellable
13	STANDOFF, 1" OD X .75, 10-32, FF, ALUM	117728-00	4	Not Sellable
14	SCREW, CAP, SOCKET HEAD, PARTIAL THREAD, #10-32, 2.00, SS	21-000832-0032	4	Not Sellable
16	STANDOFF, 1"ODX. 75, 10-32, FF	117728-00	4	Not Sellable
17	WASHER, LOCK, HEAVY, #10, SS	7941	2	Not Sellable
18	SCR, CAP, SCH, FT, #10-32, 1/2, SS	21-000832-0008	2	Not Sellable
19	SCR, CAP, SCH, PT, #10-32, 3.25, SS	21-012272-0052	2	Not Sellable
20	PLATE, MOUNT, 410, .2IN	116182-00	1	Not Sellable

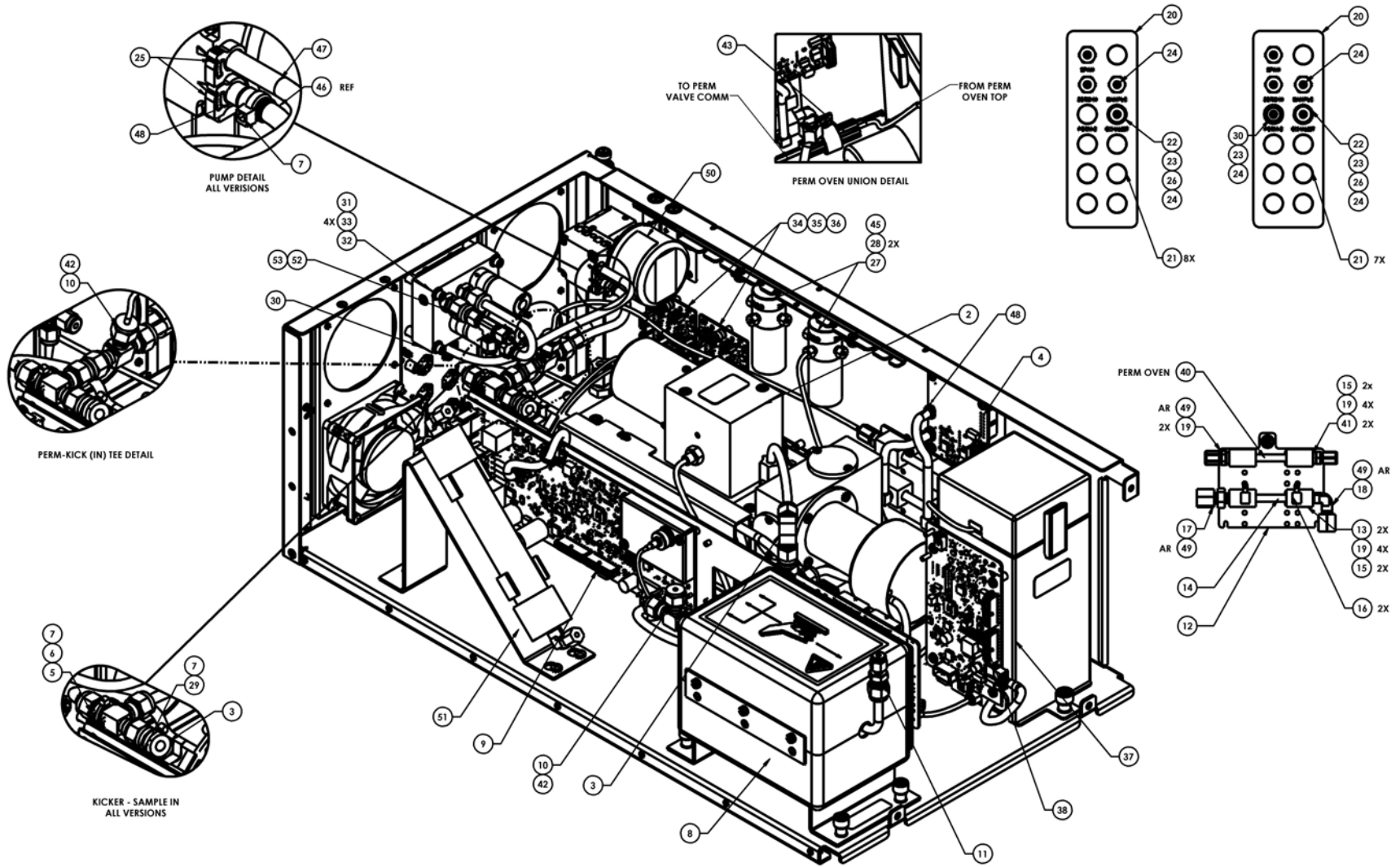
410iQ Motor Assembly



410iQ Motor Assembly

Item	Description	P/N	Qty	Component
16	IR SOURCE	7361	1	Consumable
1	WHEEL HOUSING	7544	1	Spare Part
3	ASSY, OPTICAL SWITCH	101714-00	1	Spare Part
6	MOTOR, STEP, NEMA 23	115925-00	1	Spare Part
7	ASSY, SOURCE, IR, 48/410iQ	115976-00	1	Spare Part
8	ASSY, WHEEL, FILTER, CO2	101892-00	1	Spare Part
2	SCREW, MACHINE, FLAT HEAD, PHILLIPS, FULL THD, #6-32, 3/8, SS	21-004277-0006	2	Not Sellable
4	TAPE, SEALANT, PIPE THREAD, 1/4 WIDE, .0035 THICK	5766	AR	Not Sellable
5	ORIFICE, 1/8 NPT, BARB, NYLON, .0100"ID	116768-0100	1	Not Sellable
9	SCREW, PAN HEAD, PHILLIPS, W/EXT WASHER, #4-40, 3/8, SS	102175-00	2	Not Sellable
10	PLATE, MOTOR, 48/410iQ	116246-00	1	Not Sellable
11	SCREW, MACHINE, PAN HEAD, PHILLIPS, FULL THD, #8-32, 1/4, SS	41453	1	Not Sellable
12	SCREW, CAP, SOCKET HEAD, FULL THREAD, #10-32, 1.00, SS	21-000832-0016	2	Not Sellable
13	SCREW, CAP, SOCKET HEAD, FULL THREAD, #8-32, 1/2, SS	21-000826-0008	2	Not Sellable
14	PLATE, DEFLECTOR, AIR	116758-00	1	Not Sellable
15	SCREW, PAN HEAD, PHILLIPS, W/INT WASHER, FT, #6-32, 1/4, SS	109488-00	2	Not Sellable

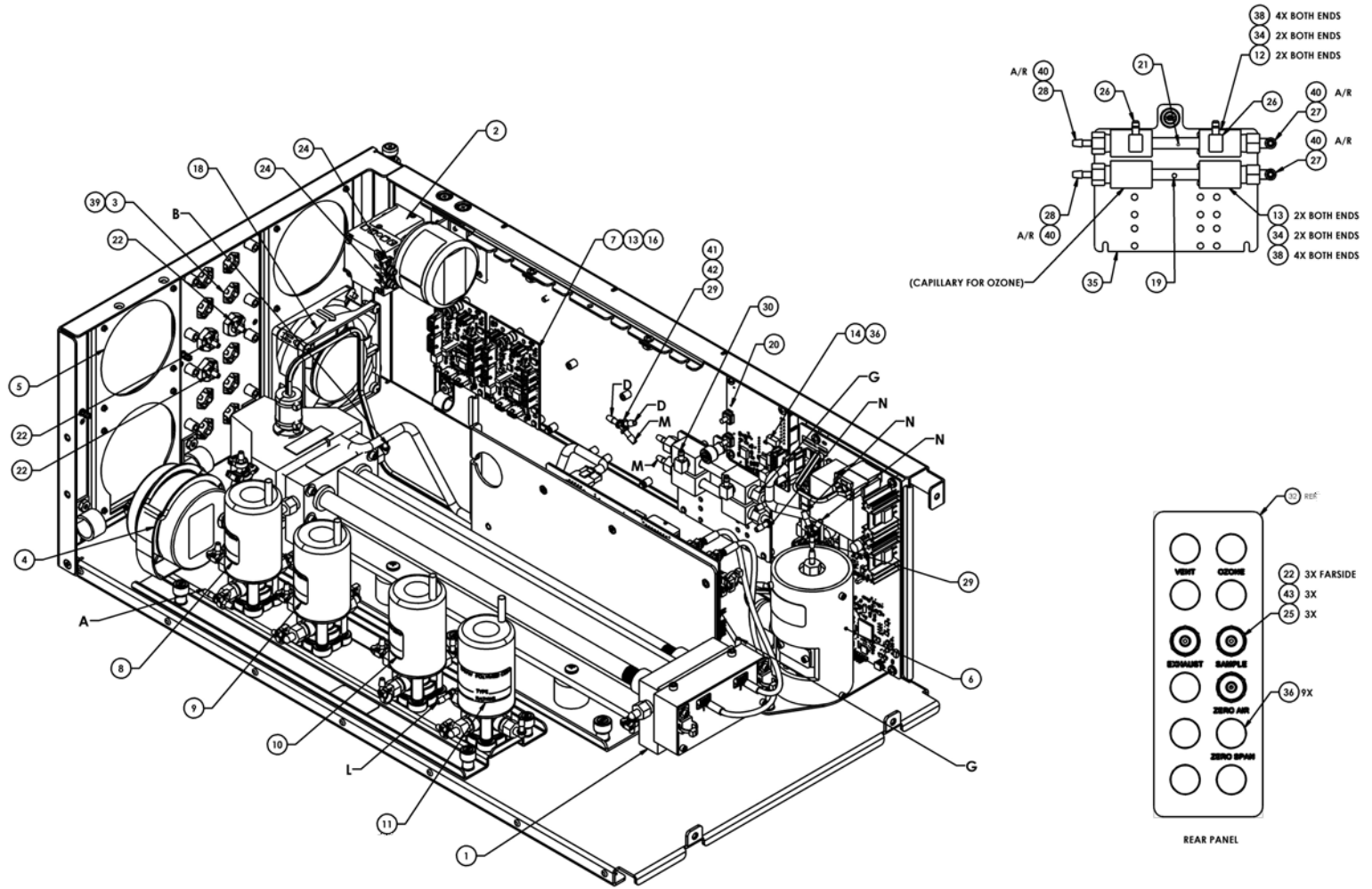
450iQ Measurement Case



450iQ Consumable Kit 119477-00	
117872-00	1 x Fan Filter (5/pk)
117712-00	1 x Capillary O-Rings (10/pk)
117615-00	1 x Pump Rebuild Kit
4126	1 x .020 Capillary

ITEM	DESCRIPTION	P/N	Qty	Component
14	CAPILLARY, 1.5"LG, .020 BORE, BLU	4126	1	Consumable
40	CAPILLARY, 1.5"LG, .008 BORE, RED	4119	1	Consumable
2	ASSY, DMC, 43iQ, STANDARD	116453-01	1	Spare Part
3	FITTING, ELBOW, UNION, 1/4T OD, SS	2049.579	2	Spare Part
9	CABLE ASSY, DMC, 15"	114675-15	1	Spare Part
13	BLOCK, ADAPTER, CAPILLARY TUBE	116051-01	2	Spare Part
16	FITTING, ELBOW, BARB, 1/8T ID, #10-32, SS	32-007390	2	Spare Part
17	FTG, MALE CONN	8599	1	Spare Part
18	FITTING, ELBOW, 1/4T OD, 1/8 NPT, KYNAR	8569	1	Spare Part
21	PLUG, 1/2" HOLE, 1/16 PANEL, METAL	116579-00	10	Spare Part
22	FITTING, BULKHEAD, 1/4 TUBE, 1/8 BARB, SS	116774-00	1	Spare Part
24	CAP, .187 ID, .25 OD	4786	5	Spare Part
27	ASSY, FITTING, SOLENOID	117207-00	2	Spare Part
30	FITTING, UNION, BULKHEAD, 1/4T OD, 1/8T OD, SS	32-007185	1	Spare Part
31	FITTING, REDUCER, 1/4 STEM, 1/8 T, SS	117344-00	1	Spare Part
34	ASSY, PCB, STEP POL	114664-00	2	Spare Part
35	CABLE ASSY, STEP POL, POWER, 3"	116522-03	1	Spare Part
36	CABLE ASSY, STEP POL, SIGNAL, 3"	116523-03	1	Spare Part
38	CABLE ASSY, DMC, 5"	114675-05	1	Spare Part
39	FITTING, 1/8 NPT TO 1/8 COMPRESSION	117196-00	2	Spare Part
41	BLOCK, ADAPTER, CAPILLARY TUBE	116051-02	2	Spare Part
44	TUBING, SILICONE, CLEAR, 2MM ID, 2MM WALL	32-008043-0002	A/R	Spare Part
45	TUBING, TEFLON, .125 OD, FEP	5510	A/R	Spare Part
46	TUBING, TEFLON, 1/4 OD, .125ID, FEP	5512	A/R	Spare Part
48	TUBING, SILASTIC, 1/4 OD	5500	A/R	Spare Part
50	Single-head Pump	116584-00	1	Spare Part
51	ASSY, SCRUBBER & BRACKET, 450iQ	SEE MODEL CODE	A/R	Spare Part
52	FITTING, TEE, UNION, 1/8T, SS	32-011183	1	Spare Part
32	ASSY, VALVE MANIFOLD, ZERO-SPAN, SS	11987-00	1	Optional
37	ASSY, PERMEATION OVEN, IQ	114741-00	1	Optional
4	CABLE ASSY, DMC, 24"	114675-24	1	Not Sellable
5	MOUNT, ANCHOR, CABLE TIE, #8 SCREW, WHITE	5390	1	Not Sellable
6	SCREW, PAN HEAD, PHILLIPS, W/INT WASHER, FT, #6-32, 1/4, SS	109488-00	1	Not Sellable
7	TIE, CABLE, NYLON, 4"	5385	3	Not Sellable
8	ASSY, MOLY CONVERTER, 450iQ	119101-00	1	Not Sellable
10	FITTING, TEE, REDUCING, 1/4 X 1/4 X 1/8, TUBE	117197-00	2	Not Sellable
11	FITTING, UNION, REDUCING, 1/4T OD, 1/8T OD, SS	32-004852	1	Not Sellable
12	PLATE, CAPILLIARY	117116-00	1	Not Sellable
15	O-RING, 1/4 ID, 3/8 OD, VITON (use 117712-00)	22-000485-3010	4	Not Sellable
19	SCREW, CAP, SOCKET HEAD, FULL THREAD, #6-32, 1/4, SS	21-006265-0004	8	Not Sellable
20	LABEL, REAR PANEL, 43iQ	117144-00	1	Not Sellable
23	WASHER, FLAT, 7/16, ALUM, MIL SPEC	116953-00	2	Not Sellable
25	CLAMP, HOSE, Ø.269-.291	117046-00	2	Not Sellable
26	CLAMP, HOSE, Ø.228-.256	117128-00	1	Not Sellable
28	SCREW, MACHINE, PAN HEAD, PHILLIPS, FULL THD, #4-40, 3/8, SS	21-003720-0006	4	Not Sellable
29	MOUNT, CABLE TIE, ADHESIVE BACKED, 4 WAY, 3/4, ABS	13-002165	1	Not Sellable
33	SCREW, CAP, SOCKET HEAD, PARTIAL THREAD, #8-32, 1.25, SS	21-000826-0020	4	Not Sellable
42	FITTING, PORT CONNECTOR, 1/4T OD, SS	2049.798	1	Not Sellable
43	FITTING, UNION, 1/8T, PFA	117660-00	1	Not Sellable
47	TUBING, FLEXIBLE, ULTRA CHEMICAL RESISTANT, TYGON	116954-02	A/R	Not Sellable
49	TAPE, SEALANT, PIPE THREAD, 1/4 WIDE, .0032 THICK	22-007258	A/R	Not Sellable
53	FITTING, PORT CONNECTOR, 1/4T OD, 1/8T OD, SS	32-011181	1	Not Sellable

49iQ Measurement Case

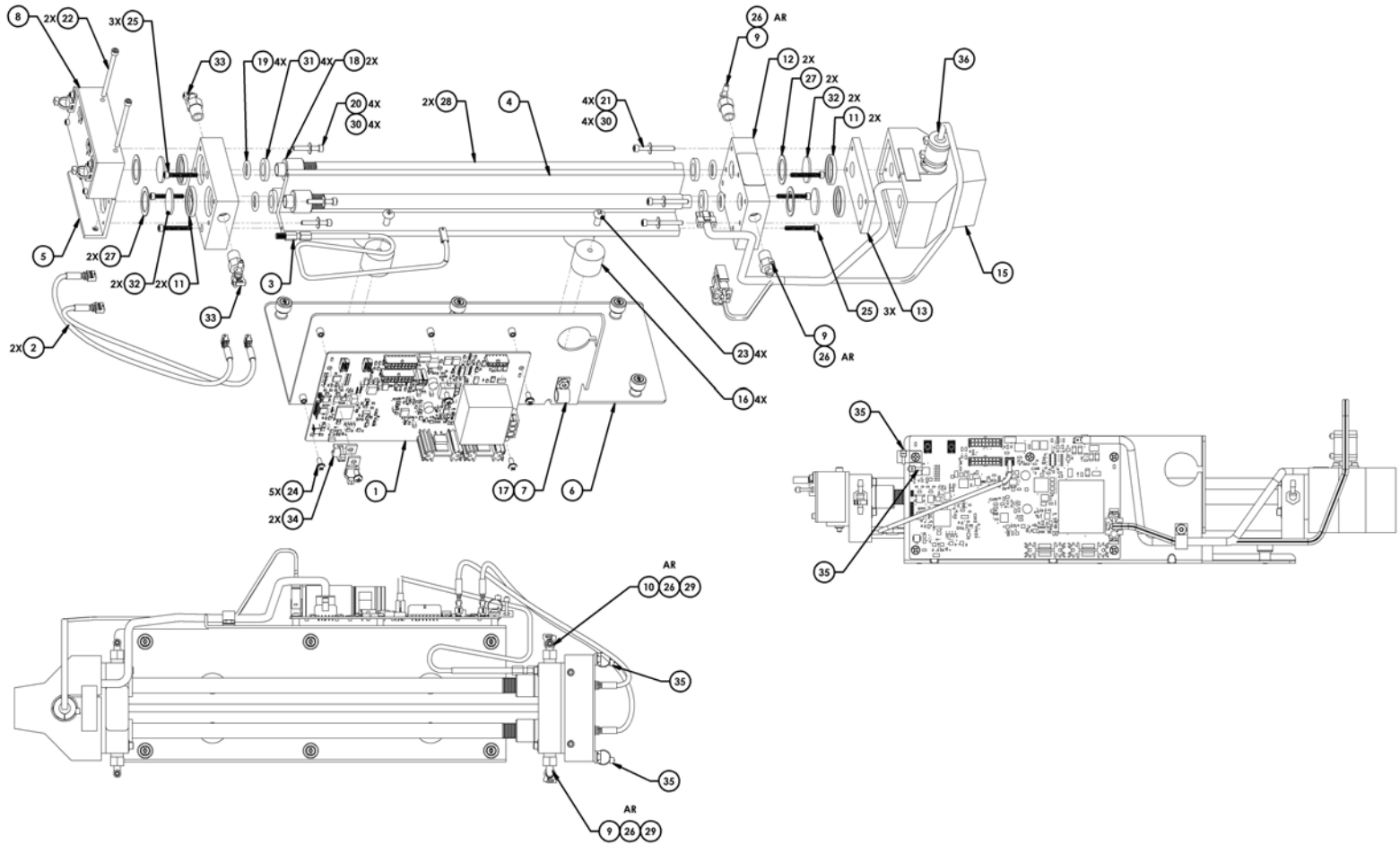


49iQ Spares Kit

	Part Number	Description
GA 49iQ Spares Kits	117869-00	49iQ Consumables Kit
		Includes
	117615-00	1 x Pump Rebuild Kit
	4126	1 x Capillary, 20 Mil
	117712-00	1 x Capillary O-Rings (10/pk)
	117872-00	1 x Fan Filter (5/pk)

ITEM	DESCRIPTION	P/N	Qty	Component
17	CAPILLARY, .006 X 1.5, GRN (ozone)	4115	1	Consumable
19	CAPILLARY, .024 X 1.5, ORG (ozone)	4129	1	Consumable
21	CAPILLARY, 1.5"LG, .020 BORE, BLU (sample)	4126	1	Consumable
1	ASSY, DMC, PHOTOMETER, 49iQ	116736-00	1	Spare Part
2	Single-Head Pump	116584-00	1	Spare Part
4	Scrubber	117062-00	1	Spare Part
5	Blank Panel	116472-00	3	Spare Part
7	ASSY, PCB, STEP POL	114664-00	1	Spare Part
8	Sample Solenoid	117089-01	1	Spare Part
9	Reference Solenoid	117089-02	1	Spare Part
12	BLOCK, ADAPTER, CAPILLARY TUBE	116051-01	3	Spare Part
13	BLOCK, ADAPTER, CAPILLARY TUBE	116051-02	5	Spare Part
14	CABLE ASSY, DMC, 8" (not shown)	114675-08	2	Spare Part
18	Fan	116752-00	1	Spare Part
20	F/P PCB	117613-92	1	Spare Part
25	FITTING, BULKHEAD, 1/4 TUBE, 1/8 BARB, SS	116774-00	3	Spare Part
26	FITTING, ELBOW, BARB, 1/8T ID, #10-32, SS	32-007390	3	Spare Part
27	FITTING, ELBOW, 1/8 NPT X 1/8 BARB, PVDF	116652-00	4	Spare Part
28	FITTING, MALE CONN, 1/8 NPT X 1/8 BARB, PVDF	116651-00	4	Spare Part
29	FITTING, Y CONN, 3 X 1/8 BARB, PVDF	116653-00	2	Spare Part
30	HOSE, SILICONE, CLEAR, 2MM ID X 2MM WALL	32-008043-0002	A/R	Spare Part
36	PLUG, 1/2" HOLE, 1/16 PANEL, METAL	116579-00	10	Spare Part
41	TUBING, TYGON 2375, 1/8 ID, 1/16 WALL	116954-02	A/R	Spare Part
42	TUBING, TYGON W/FEP TEFLON LINER, 1/8"ID, 1/16" WALL	B0164KB	A/R	Spare Part
3	ASSY, MANIFOLD, 49iQ (not shown)	117087-00	1	Optional
6	ASSY, OZONATOR, NO DETECTOR, 49iQ	116628-03	1	Optional
10	Sample/Cal Solenoid	117089-03	1	Optional
11	Zero/Ozone Solenoid	117089-04	1	Optional
15	CABLE ASSY, STEP POL, POWER, 3" (not shown)	116522-03	1	Optional
16	CABLE ASSY, STEP POL, SIGNAL, 3" (not shown)	116523-03	1	Optional
22	CLAMP, HOSE, Ø.228-.256	117128-00	25	Not Sellable
24	CLAMP, HOSE, Ø.269-.291	117046-00	2	Not Sellable
32	LABEL, REAR PANEL, 49iQ	116945-00	1	Not Sellable
34	O-RING, 1/4 ID, 3/8 OD, VITON (use 117712-00)	22-000485-3010	8	Not Sellable
35	PLATE, CAPILLIARY	117116-00	1	Not Sellable
38	SCREW, CAP, SOCKET HEAD, FULL THREAD, #6-32, 1/4, SS	21-006265-0004	16	Not Sellable
39	SCREW, CAP, SOCKET HEAD, PARTIAL THREAD, #8-32, 1.25, SS	21-000826-0020	4	Not Sellable
40	TAPE, SEALANT, PIPE THREAD, 1/4 WIDE, .0035 THICK	5766	A/R	Not Sellable
43	WASHER, FLAT, 7/16, ALUM, MIL SPEC	116953-00	3	Not Sellable

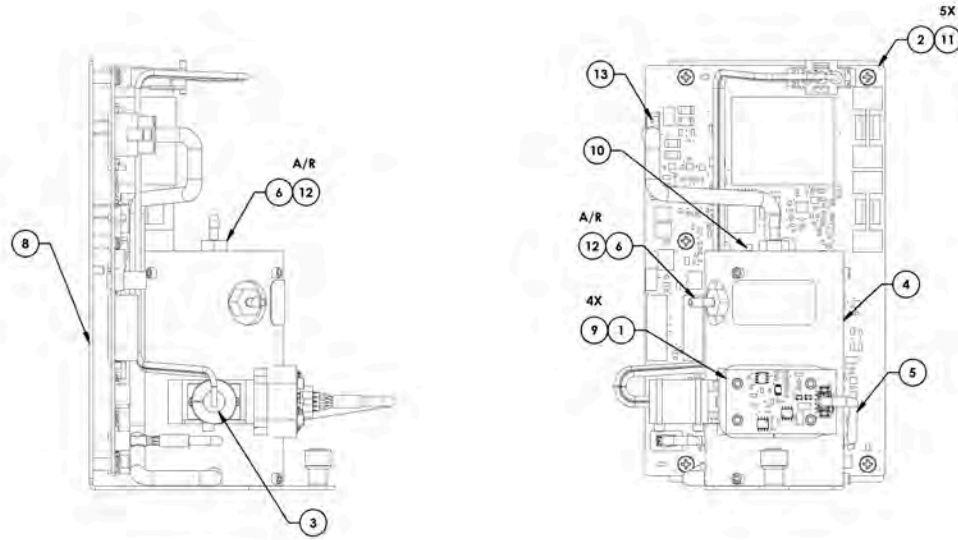
49iQ PHOTOMETER DMC 116736-01 - EXCH



49iQ/49iQPS Photometer DMC

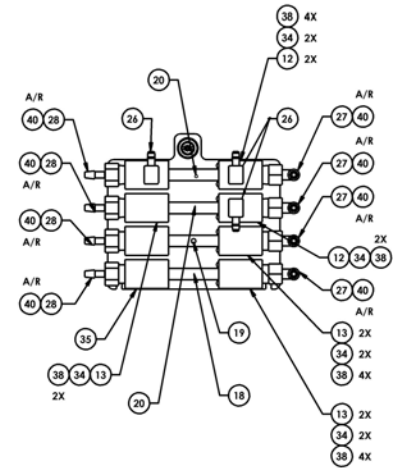
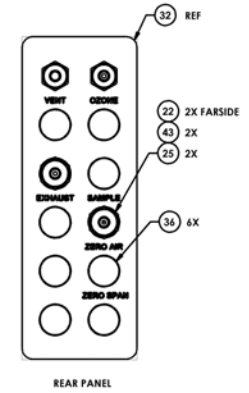
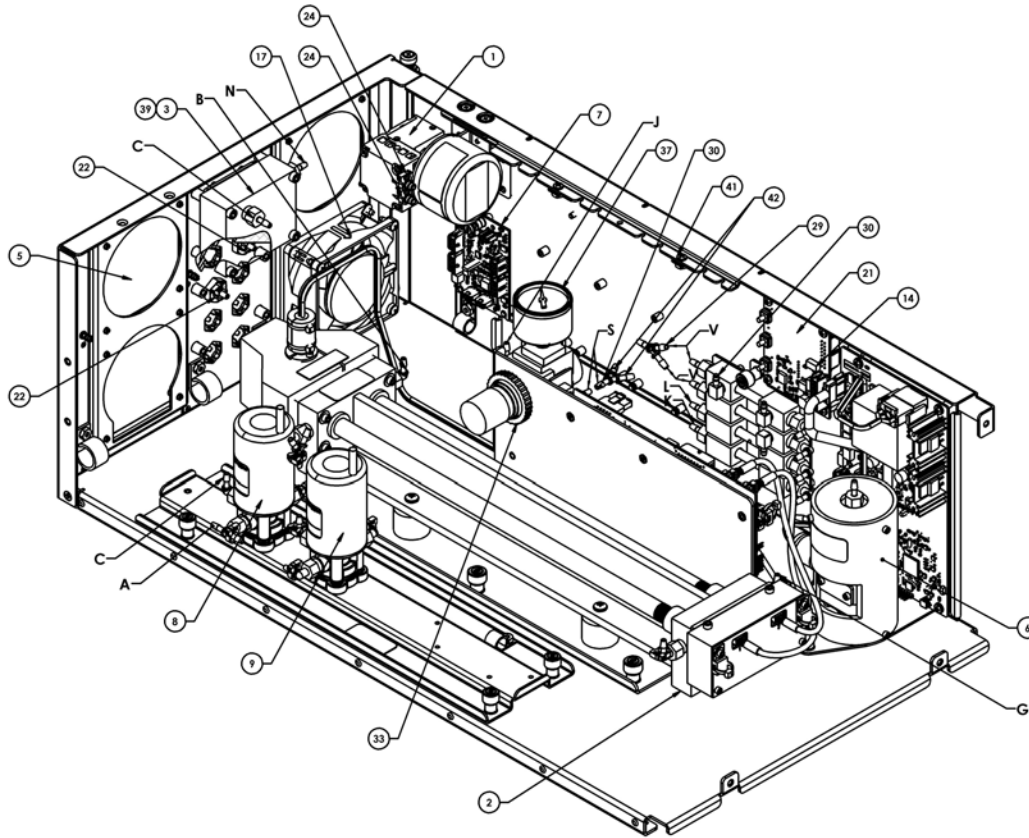
Item	Description	P/N	Qty	Component
1	ASSY, PCB, PHOTOMETER DMC	114593-90	1	Spare Part
2	ASSY, CABLE, DETECTOR, UV, 12"	116607-02	2	Spare Part
3	ASSY, THERMISTOR, OPT BENCH TO INTERFACE BRD	102447-00	1	Spare Part
8	ASSY, DETECTOR	116791-00	1	Spare Part
9	FITTING, ELBOW, 1/8 NPT X 1/8 BARB, PVDF	116652-00	3	Spare Part
10	FITTING, TEE, 1/8" BARB, 1/8" NPT, PVDF	116904-00	1	Spare Part
11	GASKET, MIRROR, SILICON	8549	4	Spare Part
12	INPUT/OUTPUT BLOCK	8564	2	Spare Part
18	NUT, TUBE	8566	2	Spare Part
19	O-RING, .424 ID, .630 OD, .103 CSD, SILICONE	8579	4	Spare Part
27	WASHER, TEFLON	8548	4	Spare Part
28	TUBE, ABSORPTION	8542	2	Spare Part
31	WASHER, .438 ID,	8565	4	Spare Part
32	WINDOW, QUARTZ, .875 DIA	8545	4	Spare Part
36	ASSY, LAMP, PHOTO, 21	116879-21	1	Spare Part
4	BRACE, TEE	116592-00	1	Not Sellable
5	BRACKET, MOUNTING, DETECTOR BLOCK	116567-00	1	Not Sellable
6	BRACKET, PHOTO, DMC, 49iQ	117135-00	1	Not Sellable
7	CABLE HOLDER, 3/8, FASTENER MOUNT, FLEXIBLE J LOOP	113135-00	1	Not Sellable
13	INSULATOR, BLOCK, LAMP, 49iQ	116563-00	1	Not Sellable
15	ASSY, LAMP BLOCK, 49iQ	116792-00	1	Not Sellable
16	MOUNT, SHOCK, F/F, 1" OD X .75, 10-32	115996-00	4	Not Sellable
17	NUT, LOCK, HEX, TOOTH WASHER, COARSE THREAD, #6-32, SS	21-004542	1	Not Sellable
20	SCREW, CAP, SOCKET HEAD, FULL THREAD, #6-32, 7/8, SS	21-000818-0014	4	Not Sellable
21	SCREW, CAP, SOCKET HEAD, PARTIAL THREAD, #6-32, 1.25, SS	21-000818-0020	4	Not Sellable
22	SCREW, CAP, SOCKET HEAD, PARTIAL THREAD, #6-32, 2.00, SS	7876	2	Not Sellable
23	SCREW, MACHINE, PAN HEAD, PHILLIPS, FULL THD, #10-32, 1/2, SS	21-003727-0008	4	Not Sellable
24	SCREW, PAN HEAD, PHILLIPS, W/INT WASHER, FT, #6-32, 3/8, SS	102024-00	5	Not Sellable
25	SCREW, SOCKET HEAD CAP, 6-32 X 1", SS	8446	6	Not Sellable
26	TAPE, SEALANT, PIPE THREAD, 1/4 WIDE, .0035 THICK	5766	A/R	Not Sellable
29	TUBING, TYGON 2375, 1/8 ID, 1/16 WALL	116954-02	7"	Not Sellable
30	WASHER, #6, FLAT, SS, 18-8	8450	8	Not Sellable
33	CLAMP, HOSE, Ø.228-.256	117128-00	2	Not Sellable
34	MOUNT, ANCHOR, CABLE TIE, #8 SCREW, WHITE	5390	2	Not Sellable
35	TIE, CABLE, 4", NYLON	5385	4	Not Sellable

49iQ/49iQPS Ozonator 116628-03



Item	Description	P/N	Qty	Component
2	ASSY, BOARD, OZONE, 49iQ, 146iQ	114593-92	1	Spare
3	ASSY, LAMP, OZONATOR, 12"	116878-12	1	Spare
6	FITTING, MALE CONN, 1/8 NPT X 1/8 BARB, PVDF	116651-00	2	Spare
1	ASSY, BOARD, DETECTOR, OZONE, 49iQ	116506-00	1	Not Sellable
4	ASSY, OZOANTOR, DETECTOR	116629-00	1	Not Sellable
5	ASSY, CABLE, DETECTOR, UV, 8"	116607-03	1	Not Sellable
8	PLATE, MOUNTING, OZONE	116713-00	1	Not Sellable
9	SCREW, CAP, SOCKET HEAD, FULL THREAD, #4-40, 3/16, SS	21-000814-0003	4	Not Sellable
10	SCREW, FLAT HEAD, PHILLIPS, UNDERCUT, #6-32, 1/4, SS	21-007511-0004	3	Not Sellable
11	SCREW, PAN HD, PHL, INT SEMS, 6-32 X 1/4", SS, 18-8	109488-00	5	Not Sellable
12	TAPE, SEALANT, PIPE THREAD, 1/4 WIDE, .0035 THICK	5766	A/R	Not Sellable
13	ASSY, CABLE, HEATER	116735-00	1	Not Sellable

49iQPS Measurement Case

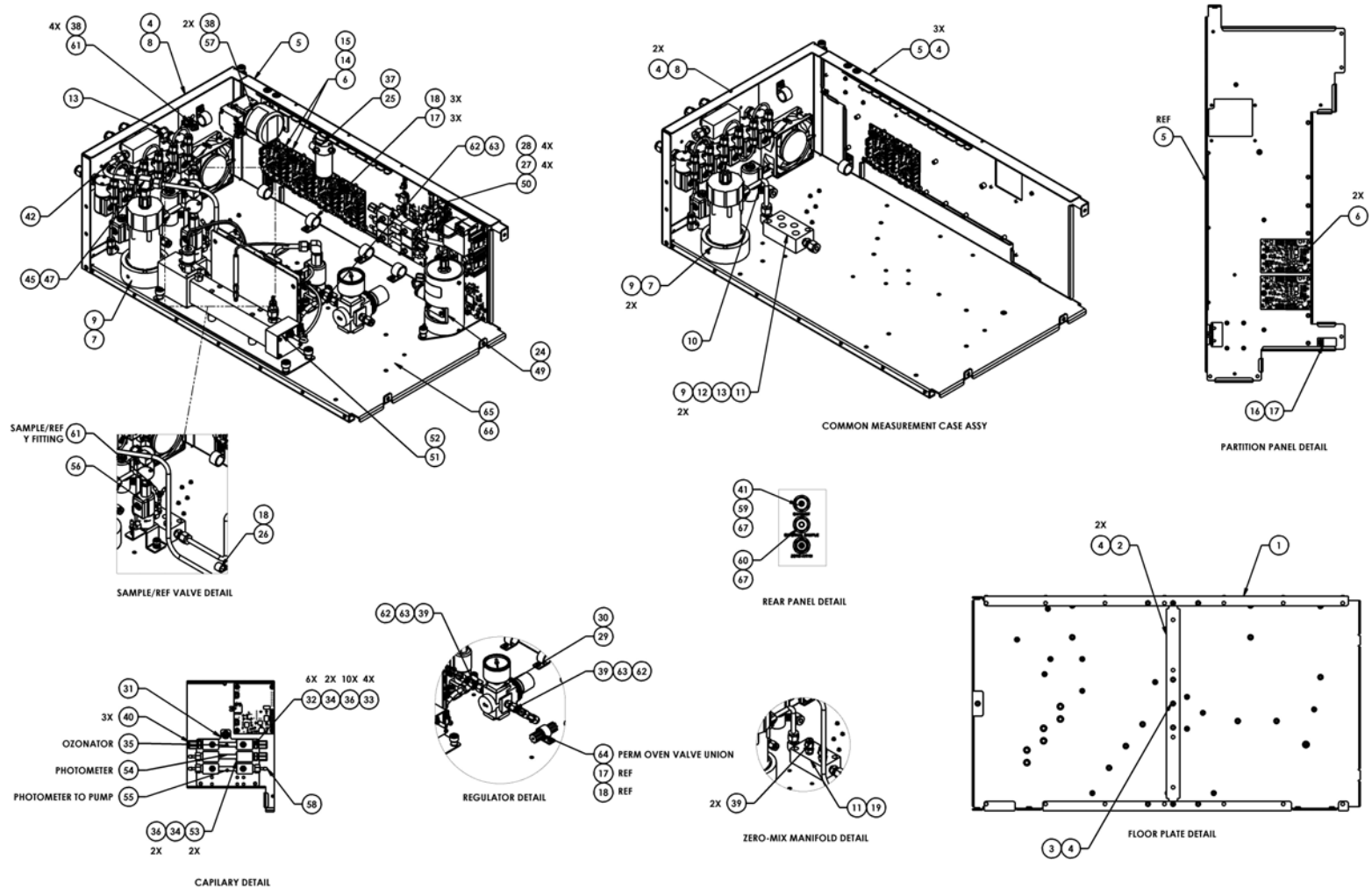


49iQPS Spares Kit

	Part Number	Description
GA 49iQ PS Spares Kits	117870-00	49iQ PS Consumable Kit
		Includes
	117615-00	1 x Pump Rebuild Kit
	4110	1 x Capillary, 20 Mil
	4111	1 x Capillary, 28 Mil
	7336	1 x Capillary, 18 Mil
	117712-00	1 x Capillary O-Rings (10/pk)
	117872-00	1 x Fan Filter (5 /pk)

ITEM	DESCRIPTION	P/N	Qty	Component
18	CAPILLARY, .018 X 1.5, PUR/BLU	7336	1	Consumable
19	CAPILLARY, .024 X 1.5, ORG	4129	1	Consumable
20	CAPILLARY, 1.5"LG, .015 BORE, PUR (SAMPLE)	4127	2	Consumable
1	SINGLE-HEAD PUMP	116584-00	1	Spare Part
2	ASSY, DMC, PHOTOMETER, 49iQPS	116736-01	1	Spare Part
5	BLANK PANEL	116472-00	3	Spare Part
7	ASSY, PCB, STEP POL	114664-00	1	Spare Part
8	SAMPLE SOLENOID	117089-01	1	Spare Part
9	REFERENCE SOLENOID	117089-02	1	Spare Part
12	BLOCK, ADAPTER, CAPILLARY TUBE	116051-01	3	Spare Part
13	BLOCK, ADAPTER, CAPILLARY TUBE	116051-02	5	Spare Part
14	CABLE ASSY, DMC, 8" (not shown)	114675-08	2	Spare Part
17	FAN	116752-00	1	Spare Part
21	F/P PCB	117613-92	1	Spare Part
25	FITTING, BULKHEAD, 1/4 TUBE, 1/8 BARB, SS	116774-00	3	Spare Part
26	FITTING, ELBOW, BARB, 1/8T ID, #10-32, SS	32-007390	3	Spare Part
27	FITTING, ELBOW, 1/8 NPT X 1/8 BARB, PVDF	116652-00	4	Spare Part
28	FITTING, MALE CONN, 1/8 NPT X 1/8 BARB, PVDF	116651-00	4	Spare Part
29	FITTING, Y CONN, 3 X 1/8 BARB, PVDF	116653-00	2	Spare Part
30	HOSE, SILICONE, CLEAR, 2MM ID X 2MM WALL	32-008043-0002	A/R	Spare Part
36	PLUG, 1/2" HOLE, 1/16 PANEL, METAL	116579-00	10	Spare Part
37	REG, NON-RELIEVING, 1/8NPT, 3-29 PSI	117174-00	1	Spare Part
41	TUBING, TYGON 2375, 1/8 ID, 1/16 WALL	116954-02	A/R	Spare Part
42	TUBING, TYGON W/FEP TEFLON LINER, 1/8"ID, 1/16" WALL	B0164KB	A/R	Spare Part
3	ASSY, MANIFOLD, 49iQ	117087-00	1	Optional
6	ASSY, OZONATOR, NO DETECTOR, 49iQ	116628-03	1	Optional
22	CLAMP, HOSE, Ø.228-.256	117128-00	25	Not Sellable
24	CLAMP, HOSE, Ø.269-.291	117046-00	2	Not Sellable
32	LABEL, REAR PANEL, 49iQ	116945-00	1	Not Sellable
33	NUT, REGULATOR, M28 X 1 PANEL MOUNT, DELRIN	111070-00	1	Not Sellable
34	O-RING, 1/4 ID, 3/8 OD, VITON (use 117712-00 (use 117712-00))	22-000485-3010	8	Not Sellable
35	PLATE, CAPILLIARY	117116-00	1	Not Sellable
38	SCREW, CAP, SOCKET HEAD, FULL THREAD, #6-32, 1/4, SS	21-006265-0004	16	Not Sellable
39	SCREW, CAP, SOCKET HEAD, PARTIAL THREAD, #8-32, 1.25, SS	21-000826-0020	4	Not Sellable
40	TAPE, SEALANT, PIPE THREAD, 1/4 WIDE, .0035 THICK	5766	A/R	Not Sellable
43	WASHER, FLAT, 7/16, ALUM, MIL SPEC	116953-00	3	Not Sellable

146iQ Measurement Case



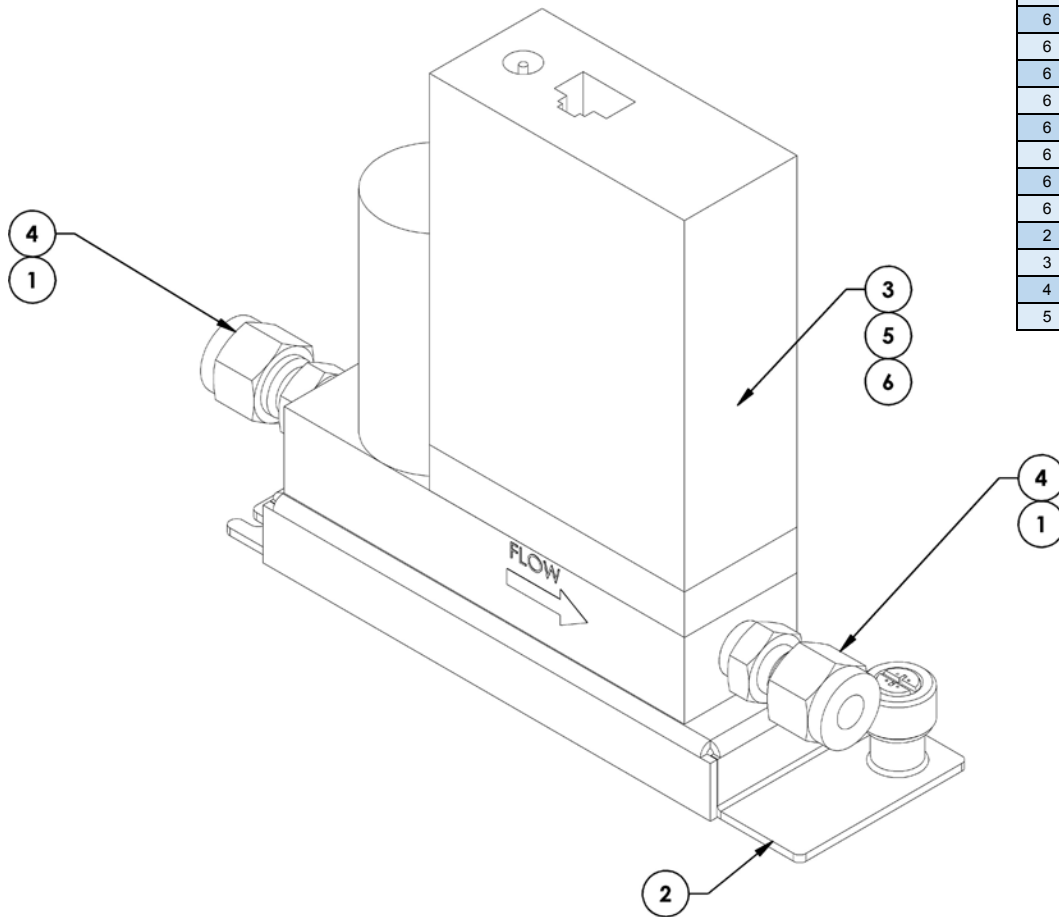
146iQ Measurement Case

Item	Description	P/N	Qty	Component
36	Capillary, 1.5"LG, 0.10 Bore, BLK	4121	1	Consumable
54	CAPILLARY, 1.5"LG, .020 BORE, BLU	4126	1	Consumable
55	CAPILLARY, .018 X 1.5, PUR/BLU	7336	1	Consumable
6	ASSY, PCB, STEP POL	114664-00	2	Spare Part
7	MIXING CHAMBER ASSY	49P766	1	Spare Part
10	TUBING, MIX MANIFOLD-MIX CHAMBER	117798-00	1	Spare Part
12	FITTING, ELBOW, 1/4T X 1/8 NPT	32-007183	1	Spare Part
13	FITTING, CONNECTOR, 1/4T OD, 1/8M NPT, SS	32-002980	1	Spare Part
14	CABLE ASSY, STEP POL, POWER, 3"	116522-03	1	Spare Part
15	CABLE ASSY, STEP POL, SIGNAL, 3"	116523-03	1	Spare Part
19	FITTING, PLUG, HOLLOW HEX, 1/8M NPT, SS	115209-00	4	Spare Part
20	PLUG, 1/2" HOLE, 1/16 PANEL, METAL	116579-00	2	Spare Part
21	TUBING, MIXING CHAMBER-MANIFOLD	117655-00	1	Spare Part
22	TUBING, ZERO MFC-MIXING CHAMBER	117657-00	1	Spare Part
24	CABLE, ASSY, DMC, 5"	114675-05	1	Spare Part
25	ASSY, SOLENOID	117207-00	2	Spare Part
29	REGULATOR, NON-RELIEVING, 1/8 NPT, 3-29PSI	8572	1	Spare Part
32	BLOCK, ADAPTER, CAPILLARY TUBE	116051-01	2	Spare Part
33	FITTING, ADAPTER, BARB, 1/8T ID, #10-32, SS	32-006189	2	Spare Part
39	FITTING, CONNECTOR, 1/8T OD, 1/8M NPT, SS	32-002982	4	Spare Part
40	FITTING, CONNECTOR, 1/8T OD, 1/8 NPT, KYNAR	10040	2	Spare Part
41	FITTING, BULKHEAD, 1/4 TUBE, 1/8 BARB, SS	116774-00	1	Spare Part
42	TUBING, MIX BYPASS TEE-MANIFOLD	117799-00	A/R	Spare Part
43	TUBING, ZERO VALVE-MIX MANIFOLD	117795-00	A/R	Spare Part
44	TUBING, ZERO VALVE-BYPASS TEE	117796-00	A/R	Spare Part
45	TUBING, TEFLON, 1/4 OD, 1/8 ID	5512	A/R	Spare Part
46	ASSY, SOLENOID VALVE, ZERO-MIX	117792-00	1	Spare Part
47	FITTING, TEE, UNION, 1/4T OD, SS	32-002983	2	Spare Part
48	TUBING, ZERO MFC-ZERO VALVE	117797-00	A/R	Spare Part
49	ASSY, OZONATOR, NO DETECTOR, 146iQ	116628-01	1	Spare Part
51	ASSY, BENCH, PHOTOMETER	116796-00	1	Spare Part
52	CABLE, ASSY, DMC, 15"	114675-15	1	Spare Part
53	BLOCK, ADAPTER, CAPILLARY TUBE	116051-02	2	Spare Part
57	ASSY, PUMP, IQ SERIES	116584-00	1	Spare Part
58	FITTING, MALE CONN, 1/8 NPT X 1/8 BARB, PVDF	116651-00	2	Spare Part
61	FITTING, Y CONN, 3 X 1/8 BARB, PVDF	116653-00	1	Spare Part
62	FITTING, TEE, UNION, 1/8T, SS	32-011183	1	Spare Part
63	FITTING, PORT CONN, 1/8T, SS	32-011182	1	Spare Part
66	CABLE, ASSY, DMC, 12"	114675-12	1	Spare Part
67	WASHER, LOCK, INTERNAL TOOTH, 7/16, SS	5893	1	Spare Part
69	TUBING, TYGON W/FEP TEFLON LINER, 1/8"ID, 1/16" WALL	B0164KB	A/R	Spare Part
70	TUBING, TEFLON, 1/8 OD	5510	A/R	Spare Part
71	HOSE, SILICONE, CLEAR, 2MM ID X 2MM WALL	32-008043-0002	A/R	Spare Part
1	PLATE, FLOOR, 146iQ	117482-00	1	Not Sellable

146iQ Measurement Case (continued)

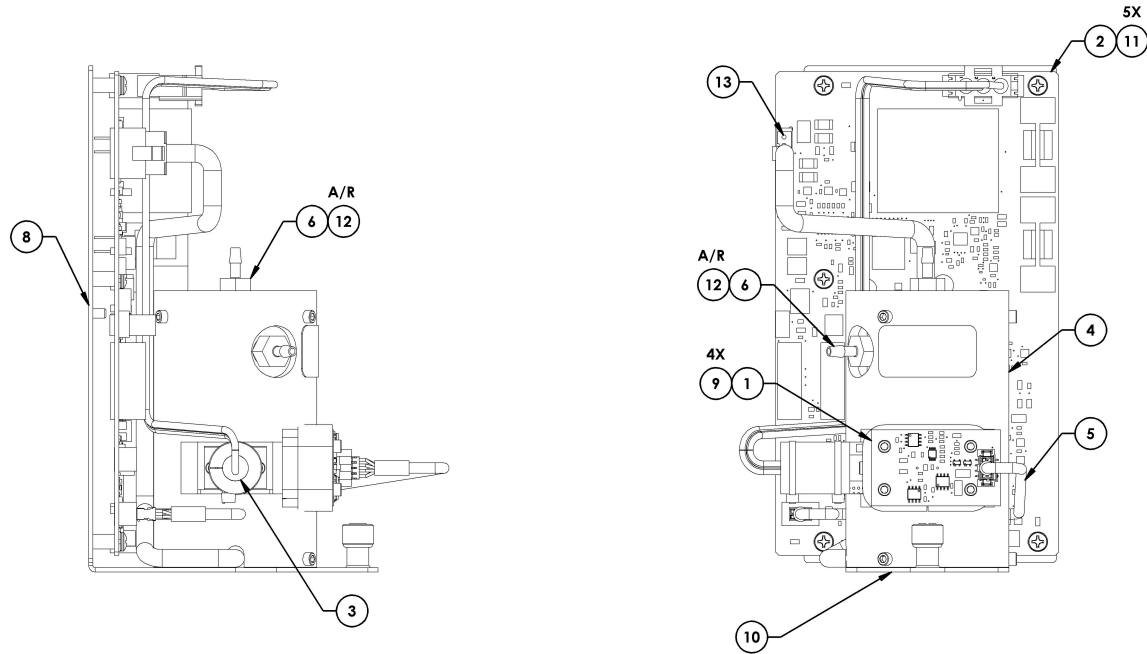
Item	Description	P/N	Qty	Component
2	BAR, BRACE, FLOOR PLATE	115160-00	1	Not Sellable
3	SUPPORT, FLOOR PLATE	115161-00	1	Not Sellable
4	SCREW, MACHINE, FLAT HEAD, PHILLIPS, FULL THD, #6-32, 5/16, SS	21-004277-0005	10	Not Sellable
5	PANEL, PARTITION	116751-00	1	Not Sellable
8	ASSY, REAR PANEL, 146iQ	117790-00	1	Not Sellable
9	SCREW, CAP, SOCKET HEAD, FULL THREAD, #6-32, 5/8, SS	21-000818-0010	4	Not Sellable
11	MANIFOLD, ZERO-MIX, SILCONERT 2000	117962-00	1	Not Sellable
16	NUT, LOCK, HEX, TOOTH WASHER, COARSE THREAD, #6-32, SS	21-004542	1	Not Sellable
17	CABLE HOLDER, 5/8, FASTENER MOUNT, FLEXIBLE J LOOP	117140-00	2	Not Sellable
18	SCREW, PAN HEAD, PHILLIPS, W/EXT WASHER, FT, #6-32, 3/8, SS	21-005087-0006	1	Not Sellable
23	ASSY, PCB, FLOW/PRESSURE DMC, 146iQ W/PHOTO	117613-05	1	Not Sellable
26	CABLE HOLDER, 3/8, FASTENER MOUNT, FLEXIBLE J LOOP	113135-00	2	Not Sellable
27	STANDOFF, F/F, 6-32 X 13/32, .25 HEX, 6/6 NYLON	116773-00	2	Not Sellable
28	SCREW, CAP, SOCKET HEAD, FULL THREAD, #6-32, 1/4, GFN	21-012322-0004	2	Not Sellable
30	NUT, REGULATOR, M28 X 1 PANEL MOUNT, DELRIN	111070-00	1	Not Sellable
31	PLATE, CAPILLIARY	117116-00	1	Not Sellable
34	O-RING, 1/4 ID, 3/8 OD, VITON	22-000485-3010	2	Not Sellable
35	SCREW, CAP, SOCKET HEAD, FULL THREAD, #6-32, 1/4, SS	21-006265-0004	2	Not Sellable
37	SCREW, MACHINE, PAN HEAD, PHILLIPS, FULL THD, #4-40, 3/8, SS	21-003720-0006	4	Not Sellable
38	CLAMP, HOSE, Ø.269-.291	117046-00	2	Not Sellable
56	ASSY, PHOTOMETER VALVES, 146iQ	117950-00	1	Not Sellable
59	CLAMP, HOSE, Ø.228-.256	117128-00	2	Not Sellable
60	FITTING, UNION, BULKHEAD, 1/4T OD, SS	2049.58	1	Not Sellable
64	FITTING, UNION, 1/8T, PFA	117660-00	1	Not Sellable
65	ASSY, PERMEATION OVEN, IQ	114741-00	1	Not Sellable
68	TUBING, TYGON 2375, 1/8 ID, 1/16 WALL	116954-02	A/R	Not Sellable
72	TAPE, SEALANT, PIPE THREAD, 1/4 WIDE, .0035 THICK	5766	A/R	Not Sellable
74	ASSY, PHOTOMETER VALVES	117950-00	1	Not Sellable

146iQ Mass Flow Controller



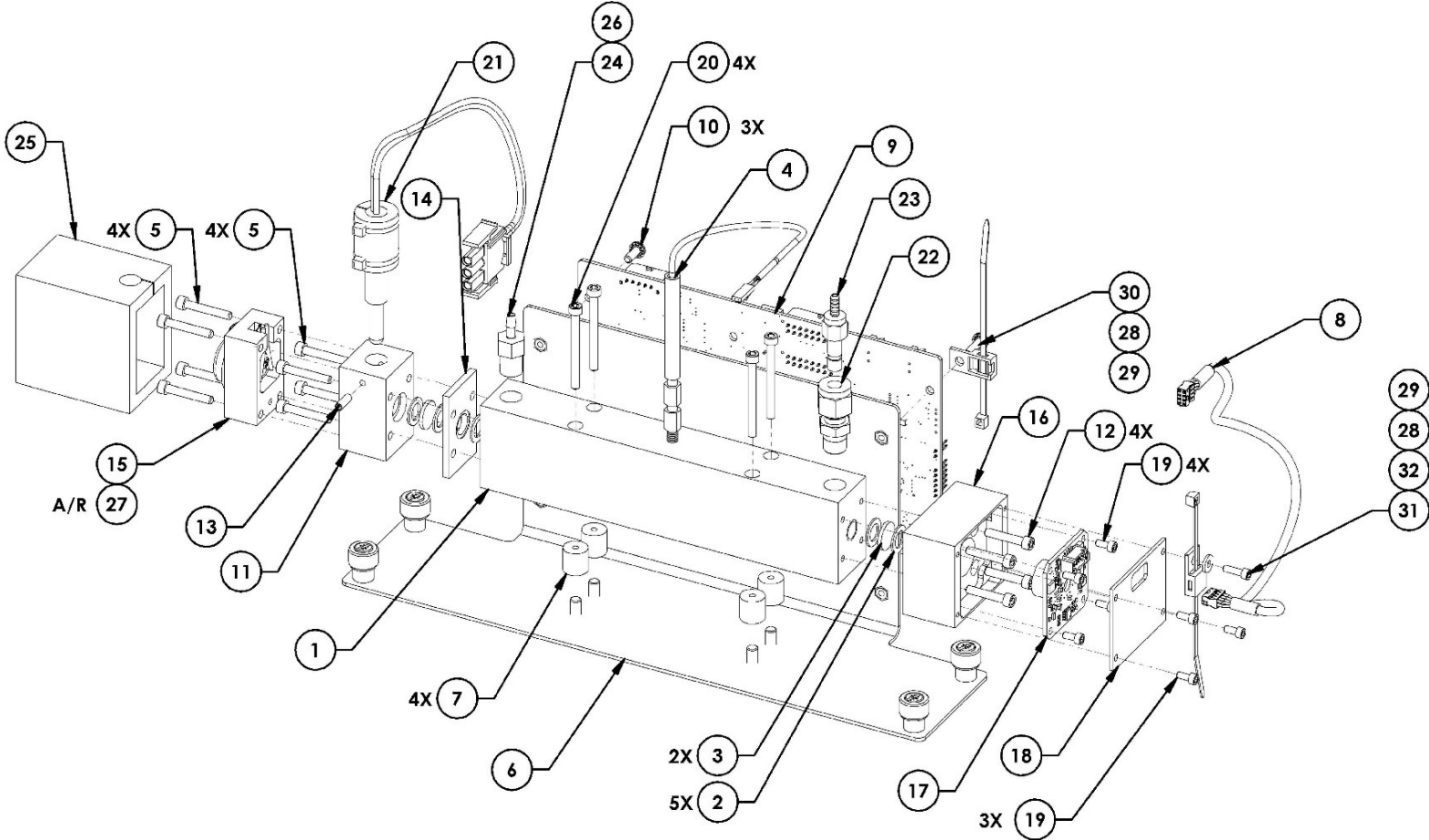
Item	Description	P/N	Qty	Component
1	FITTING, CONNECTOR, 1/8T OD, 1/8M NPT, SS (span valve)	32-002982	2	Spare Part
6	MASS FLOW CONTROLLER, 5K SCCM (zero)	117486-01	1	Spare Part
6	MASS FLOW CONTROLLER, 10K SCCM (zero)	117486-02	1	Spare Part
6	MASS FLOW CONTROLLER, 20K SCCM (zero)	117486-03	1	Spare Part
6	MASS FLOW CONTROLLER, 50 SCCM, SS VALVE (span)	117496-01	1	Spare Part
6	MASS FLOW CONTROLLER, 100 SCCM, SS VALVE (span)	117496-02	1	Spare Part
6	MASS FLOW CONTROLLER, 200 SCCM, SS VALVE (span)	117496-03	1	Spare Part
6	MASS FLOW CONTROLLER, 1K SCCM, SS VALVE (span)	117496-04	1	Spare Part
6	MASS FLOW CONTROLLER, 2K SCCM, SS VALVE (span)	117496-05	1	Spare Part
6	MASS FLOW CONTROLLER, 5K SCCM, SS VALVE (span)	117496-06	1	Spare Part
6	MASS FLOW CONTROLLER, 0.5 SCCM, SS VALVE (span)	117496-07	1	Spare Part
6	MASS FLOW CONTROLLER, 1 SCCM, SS VALVE (span)	117496-08	1	Spare Part
6	MASS FLOW CONTROLLER, 2 SCCM, SS VALVE (span)	117496-09	1	Spare Part
6	MASS FLOW CONTROLLER, 5 SCCM, SS VALVE (span)	117496-10	1	Spare Part
6	MASS FLOW CONTROLLER, 10 SCCM, SS VALVE (span)	117496-11	1	Spare Part
6	MASS FLOW CONTROLLER, 20 SCCM, SS VALVE (span)	117496-12	1	Spare Part
6	MASS FLOW CONTROLLER, 500 SCCM, SS VALVE (span)	117496-13	1	Spare Part
2	BRACKET, MASS FLOW CONTROLLER MTG	117488-00	1	Not Sellable
3	SCREW, CAP, SOCKET HEAD, FULL THREAD, #8-32, 3/8, SS	21-000826-0006	2	Not Sellable
4	TAPE, SEALANT, PIPE THREAD, 1/4 WIDE, .0035 THICK	5766	A/R	Not Sellable
5	ADHESIVE, THREADLOCK, LOW STRENGTH, PURPLE	22-001606	A/R	Not Sellable

146iQ Ozonator DMC 116628-01



Item	Description	P/N	Qty	Component
2	ASSY, BOARD, OZONE, 49iQ, 146iQ	114593-93	1	Spare Part
6	FITTING	10040	2	Spare Part
1	ASSY, BOARD, DETECTOR, OZONE, 49iQ	116506-00	1	Not Sellable
3	ASSY, LAMP, OZOANTOR, 12"	116878-12	1	Not Sellable
4	ASSY, OZOANTOR, No DETECTOR	116629-01	1	Not Sellable
5	ASSY, CABLE, DETECTOR, UV, 8"	116607-03	1	Not Sellable
8	PLATE, MOUNTING, OZONE	116713-00	1	Not Sellable
9	SCREW, CAP, SOCKET HEAD, FULL THREAD, #4-40, 3/16, SS	21-000814-0003	4	Not Sellable
10	SCREW, FLAT HEAD, PHILLIPS, UNDERCUT, #6-32, 1/4, SS	21-007511-0004	3	Not Sellable
11	SCREW, PAN HD, PHL, INT SEMS, 6-32 X 1/4", SS, 18-8	109488-00	5	Not Sellable
12	TAPE, SEALANT, PIPE THREAD, 1/4 WIDE, .0035 THICK	5766	A/R	Not Sellable
13	ASSY, CABLE HEATER	116735-00	1	Not Sellable

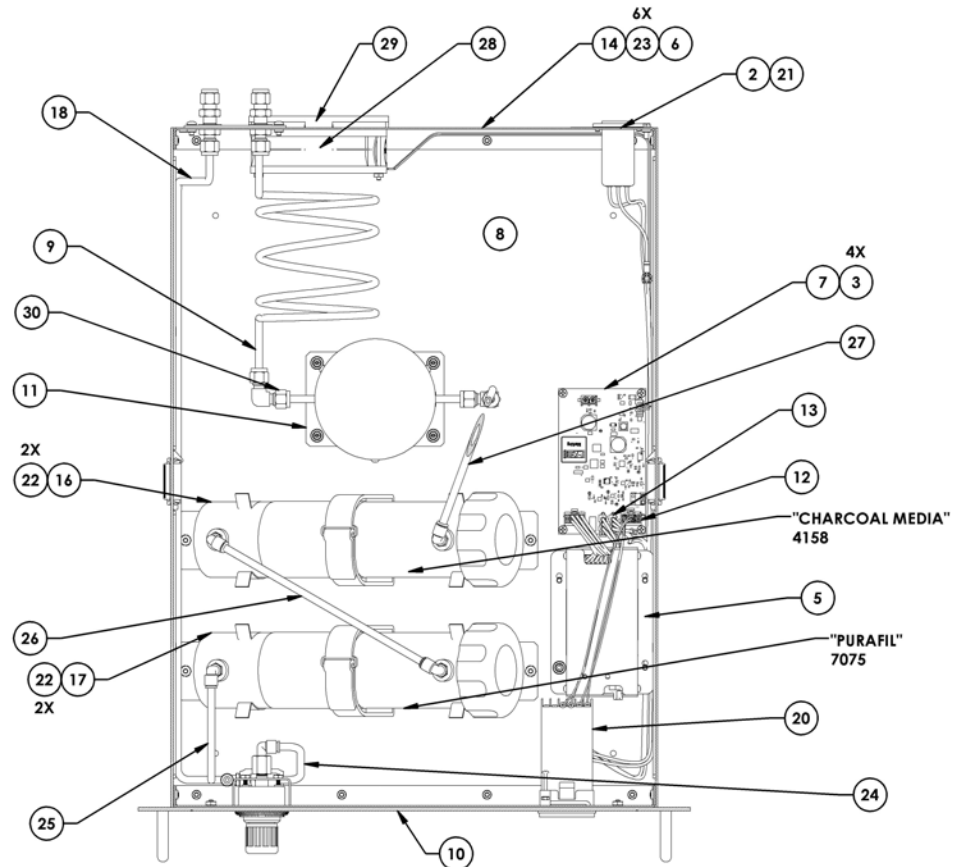
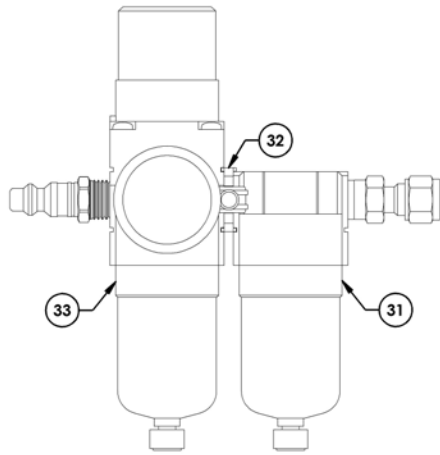
146iQ PHOTOMETER DMC 116796-00



146iQ Photometer DMC

Item	Description	P/N	Qty	Component
1	PHOTOMETER BENCH W/TEFLON TUBE	103961-00	1	Spare Part
4	ASSY, THERMISTOR, OPT BENCH TO INTERFACE BRD	102447-00	1	Spare Part
8	ASSY, CABLE, DETECTOR, UV, 8"	116607-03	1	Spare Part
9	ASSY, PCB, PHOTOMETER DMC	114593-91	1	Spare Part
12	SCREW, CAP, SOCKET HEAD, FULL THREAD, #6-32, 3/4, SS	21-000818-0012	4	Spare Part
17	PCBA, PHOTOMETER/PHOTOTUBE DETECTOR	116381-00	1	Spare Part
21	ASSY, LAMP, PHOTO, 146iQ	116879-12	1	Spare Part
22	FITTING, CONNECTOR, 1/4T OD, 1/8M NPT, SS	32-002980	1	Spare Part
23	FTG, ADPT, 1/4 TUBE X 1/8 HOSE, SS	117199-00	1	Spare Part
24	FITTING, MALE CONN, 1/8 NPT X 1/8 BARB, PVDF	116651-00	1	Spare Part
27	THERMAL COMPOUND, DOW TYPE 340	5726	A/R	Spare Part
32	WASHER, FLAT, GENERIC, NARROW, #4, SS	8438	1	Spare Part
2	WASHER, 1/2 OD X 5/16 ID X 1/32 THK, VITON	107197-00	5	Not Sellable
3	WINDOW, OPTICAL BENCH	102534-00	2	Not Sellable
5	SCREW, CAP, SOCKET HEAD, FULL THREAD, #6-32, 7/8, SS	21-000818-0014	8	Not Sellable
6	BRACKET, PHOTOMETER DMC, 146iQ	116591-00	1	Not Sellable
7	MOUNT, VIBRATION, F/F, 6-32, .435 OD	116910-00	4	Not Sellable
10	SCREW, PAN HEAD, PHILLIPS, W/INT WASHER, FT, #6-32, 3/8, SS	102024-00	3	Not Sellable
11	HOUSING, PHOTOMETER LAMP	101430-00	1	Not Sellable
13	6-32 X 3/8 18-8 STAINLESS STEEL SOCKET SET SCREW WITH BRASS TIP	8441	1	Not Sellable
14	PLATE, LAMP BLOCK	102413-00	1	Not Sellable
15	CABLE ASSY, HEATER	116735-00	1	Not Sellable
16	BLOCK, DETECTOR, 146iQ	116580-00	1	Not Sellable
18	COVER, BLOCK, DETECTOR, 146iQ	116581-00	1	Not Sellable
19	SCREW, CAP, SOCKET HEAD, FULL THREAD, #4-40, 1/4, SS	21-000814-0004	7	Not Sellable
20	SCREW, CAP, SOCKET HEAD, PARTIAL THREAD, #6-32, 1.50, SS	21-000818-0024	4	Not Sellable
25	INSULATION, 146iQ	116624-00	1	Not Sellable
26	TAPE, SEALANT, PIPE THREAD, 1/4 WIDE, .0035 THICK	5766	A/R	Not Sellable
28	MOUNT, ANCHOR, CABLE TIE, #8 SCREW, WHITE	5390	2	Not Sellable
29	TIE, CABLE, NYLON, 4"	5385	2	Not Sellable
30	SCREW, PAN HEAD, PHILLIPS, W/INT WASHER, FT, #6-32, 1/2, SS	103837-00	1	Not Sellable
31	SCREW, CAP, SOCKET HEAD, FULL THREAD, #4-40, 3/8, SS	21-000814-0006	1	Not Sellable

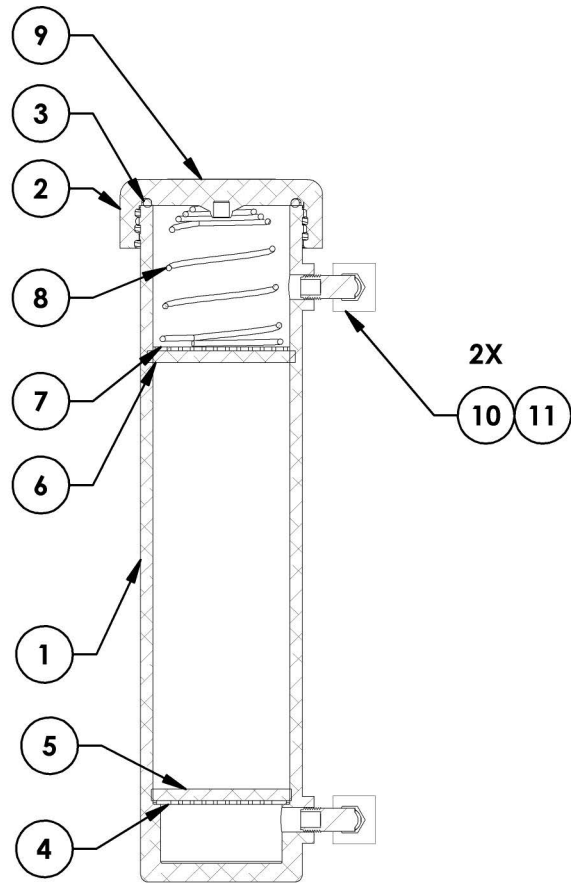
111iQ



111iQ

Item	Description	P/N	Qty	Component
29	FAN FILTER	4070	1	Consumable
2	FUSE, 250V, SLO, 5 X 20MM, 3.15A	103894-00	2	Spare Part
4	COVER, INSTRUMENT (not shown)	114844-00	1	Spare Part
5	ASSY, POWER SUPPLY, DC, 48 VOLT	115635-03	1	Spare Part
7	ASSY, BOARD, DRIVER, HEATER, MODEL 111iQ, TESTED	116014-90	1	Spare Part
9	COIL, COOLING, OUTLET AIR	116039-00	1	Spare Part
11	ASSY, CONVERTER, MODEL 111iQ	116088-00	1	Spare Part
13	ASSY, CABLE, SWITCH	116127-00	1	Spare Part
18	KIT, TUBING, MODEL 111iQ	116255-00	1	Spare Part
20	CONTROLLER, TEMPERATURE, PROGRAMMED	116452-00	1	Spare Part
30	FITTING, CLEAN-ELBOW U SS 1/4	103873-14	2	Spare Part
31	MIST FILTER	116345-00	1	Spare Part
33	DUST FILTER	116347-00	1	Spare Part
34	COMPRESSOR, IOLPM, 115V/60HZ (NOT SHOWN)	117740-00	1	Spare Part
34	COMPRESSOR, 20LPM, 115V/60HZ (NOT SHOWN)	117742-00	1	Spare Part
34	COMPRESSOR, IOLPM, 220V /50HZ EUROPE (NOT SHOWN)	116407-00	1	Spare Part
34	COMPRESSOR.20LPM. 220V /50HZ CHINA (NOT SHOWN)	117745-00	1	Spare Part
34	COMPRESSOR. IOLPM. 220V /50HZ CHINA (NOT SHOWN)	116406-00	1	Spare Part
34	COMPRESSOR.20LPM. 220V /50HZ EUROPE (NOT SHOWN)	117747-00	1	Spare Part
3	SCREW, PAN HEAD, PHILLIPS, W/INT WASHER, FT, #6-32, 1/4, SS	109488-00	4	Not Sellable
6	SCREW, HEX, COMBO DRIVE, 8-32 X 3/8, GREEN ZINC	115766-00	1	Not Sellable
8	ENCLOSURE, BASE, MODEL 111iQ	116028-00	1	Not Sellable
10	ASSY, PANEL, FRONT, MODEL 111iQ	116087-00	1	Not Sellable
12	ASSY, CABLE, INTERCONNECT, TEMP CONTROLLER	116102-00	1	Not Sellable
14	ASSY, PANEL, REAR, MODEL 111iQ	116213-00	1	Not Sellable
16	ASSY, SCRUB, CHAR, BRACKET	116244-00	1	Not Sellable
17	ASSY, SCRUB, CHEM, BRACKET	116245-00	1	Not Sellable
21	LABEL, FUSE, UNIVERSAL POWER, 200W	116458-01	1	Not Sellable
22	NUT, LOCK, HEX, TOOTH WASHER, COARSE THREAD, #8-32, SS	21-004544	4	Not Sellable
23	SCREW, FLAT HEAD, PHILLIPS, UNDERCUT, #8-32, 1/4, SS	21-012075-0004	16	Not Sellable
24	PART OF TUBING KIT P/N 116255-00	116250-00	1	Not Sellable
25	PART OF TUBING KIT P/N 116255-00	116255-00	1	Not Sellable
26	PART OF TUBING KIT P/N 116255-00	116255-01	1	Not Sellable
27	PART OF TUBING KIT P/N 116255-00	116255-02	1	Not Sellable
28	FAN	116263-00	1	Not Sellable
32	REGULATOR	116348-00	1	Not Sellable

111iQ Scrubber Assembly (Empty)



Item	Description	P/N	Qty	Component
12	CHARCOAL, BOTTLED (NOT SHOWN)	4158	1	Consumable
13	MEDIA, CHEMICAL FILTER BOTTLE (NOT SHOWN)	7075	1	Consumable
1	CANISTER	4265	1	Spare
2	CAP, SCRUBBER	4266	1	Spare
3	O-RING, 2-1/4" ID, 2-1/2" OD, 1/8" CSD	22-000485-3228	1	Spare
4	PLATE, SUPPORT, MESH, 2.09 OD, 1/16 THK, SS	112949-00	1	Spare
5	PAD, FELT, 2.25 OD, 3/16 THICK, WOOL	112976-00	1	Spare
6	PAD, FELT, 2.38 OD, 3/16 THICK, WOOL	4263	1	Spare
7	MESH, SUPPORT, PLATE	4264	1	Spare
8	SPRING, .092" CSD, SS	4261	1	Spare
9	LABEL, DRYING CAP	4254	1	Not Sellable
10	FITTING, ELBOW, 1/4T OD, 1/8M NPT	116233-00	2	Not Sellable
11	TAPE, SEALANT, PIPE THREAD, 1/4 WIDE, .0035	5766	A/R	Not Sellable

thermoscientific



USA

27 Forge Parkway
Franklin, MA 02038
Ph: (508) 520-0430
Fax: (508) 520-2800
orders.aqi@thermofisher.com

India

C/327, TTC Industrial Area
MIDC Pawane
New Mumbai 400 705, India
Ph: +91 22 4157 8800
india@thermofisher.com

China

Beijing Silver Tower
#2 DongSanHuan North Rd
Beijing, China, 100020
Ph: +86 10 84193588
info.eid.china@thermofisher.com

Europe

Ion Path, Road Three,
Winsford, Cheshire CW73GA UK
Ph: +44 1606 548700
Fax: +44 1606 548711
sales.epm.uk@thermofisher.com

Find out more at thermofisher.com/iQseries

ThermoFisher
SCIENTIFIC