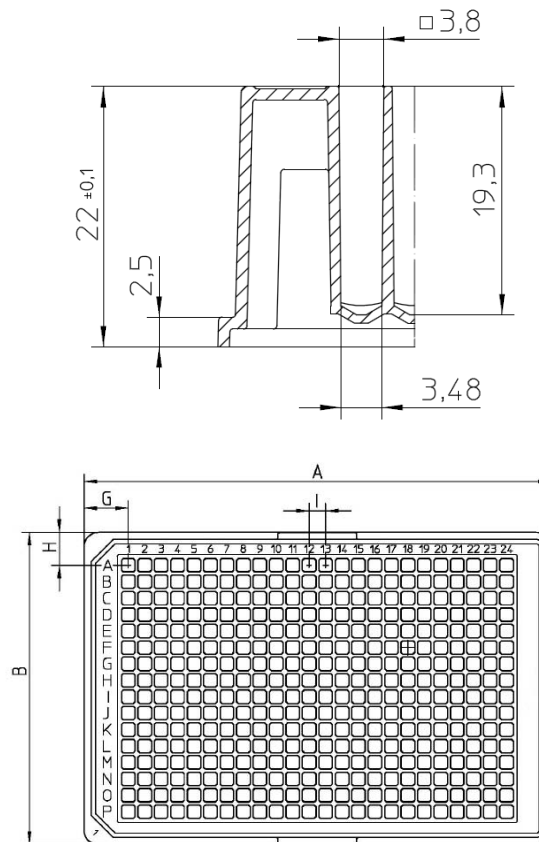


**General Arrangement Drawings**  
**Plate+ Glass Coated Microplates**

Cat.No.	Description	A	B	C	D	D'	E	F	G	H	I
60180-P312	Plate + Microplate 384-										
60180-P313	240uL	127.76	85.48	22.0	3.80	3.48	2.5	19.3	12.13	8.99	5

Dimensions in mm

**60180-P312 / 60180-P313**



Notes.

The glass coating will have some effect on dimensions D, D' and F and these are shown as nominal values.

Drawings are for instrument set-up purposes and are not manufacturing drawings

Thermo Fisher Scientific is providing information that has been supplied by the original manufacturer and is not responsible for subsequent changes or modifications.