

Easion Quick Start Guide

Use this quick start guide to help get your Thermo Scientific™ Dionex™ Easion™ IC system up and running quickly and easily.

System priming and rinse

1. Verify that the pump is turned off.
2. Connect the pump eluent line to a bottle containing 18 MΩcm resistivity or better ASTM Type 1 deionized (DI) water.
3. Disconnect the waste line from the luer fitting on the secondary (left) pump head.
4. Connect a 10 mL syringe to the luer fitting.
5. Open the waste valve on the secondary pump head by turning the knob one-half turn counterclockwise.
6. Draw the syringe back to begin removing air from the flow path. When a small amount of liquid enters the syringe, remove the syringe from the luer fitting, and reconnect the waste line.
7. With the waste valve open, click Prime on the Thermo Scientific™ Dionex™ Chromeleon™ Chromatography Data System (CDS) ePanel. Wait until no air bubbles are exiting the pump waste line.
8. Turn the pump off and close the waste valve.
9. If the columns are installed on the system remove before flushing the system. Pure water should not be run through the IC columns.
10. Turn on the pump, setting the flow rate to 1 mL/min, and flush the system for 15 minutes.
11. Prepare the eluent following the directions from the concentrate solution or from your method.

Suppressor/column installation and conditioning

- The columns must be placed with the guard column before the analytical column and the flow direction following the arrows on the column labels.
- Pump eluent through the columns at your method flow rate for about 30 min, directing the eluent exiting the column to a waste container.
- If the suppressor is not installed and connected to the system the suppressor will need to be hydrated before use, while the columns are being equilibrated.

To hydrate the suppressor

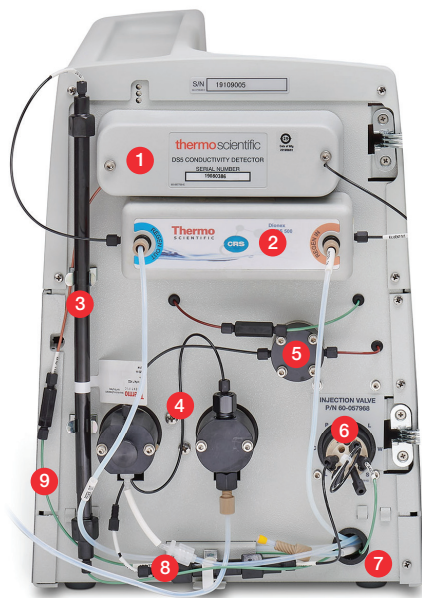
- If running anions: Using a disposable plastic syringe, push 3 mL of 200 mN H₂SO₄ through the “Eluent Out” port and 5 mL of 200 mN H₂SO₄ through the “Regen In” port.
- If running cations: Using a disposable plastic syringe, push 3 mL of 200 mN NaOH through the “Eluent Out” port and 5 mL of 200 mN NaOH through the “Regen In” port.
- Allow the suppressor to sit for 20 min to ensure complete hydration before installing it in the system.

Preparing to run the system

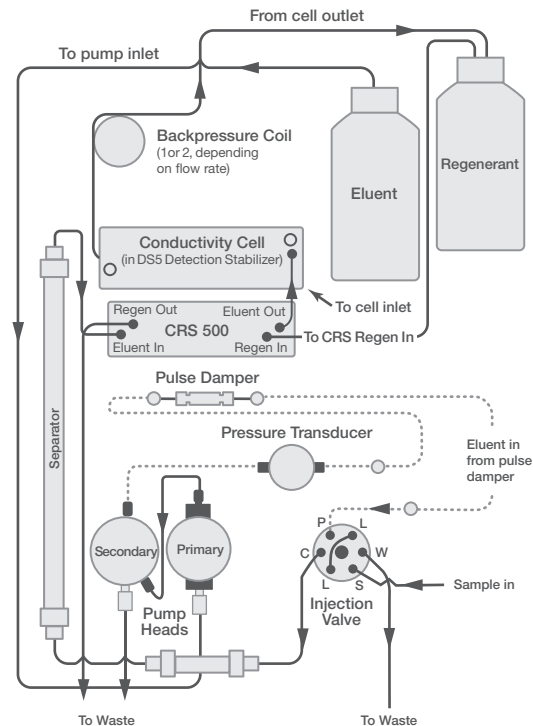
- If using displacement chemical regeneration (DCR) mode, connect the tubing from the separator (analytical) column to the “Eluent In” on the suppressor. Connect the “Eluent Out” to the conductivity cell. From the conductivity cell, connect the tubing to the inlet of the regenerant bottle. The tubing from outlet of the regenerant bottle is connected to the “Regen In” on the suppressor. Finally, the “Regen Out” goes to waste. NOTE: when using DCR mode, the regenerant bottle must be filled to the top of the rim.
- If using external regenerant mode, such as using an auxiliary pump, connect the tubing from the separator (analytical) column to the “Eluent In” on the suppressor and the “Eluent Out” is connected to the conductivity cell. The outlet of the regenerant bottle is connected to the “Regen In” on the suppressor and the “Regen Out” is connected to waste.
- Equilibrate the system at the application flow rate for about 30 min and monitor the baseline until the background conductivity is $<30 \mu\text{S/cm}$ on a system set up for anion analysis or $<2 \mu\text{S/cm}$ for cation analysis.
- Start sample sequence in Chromeleon CDS.

Dionex Easion components

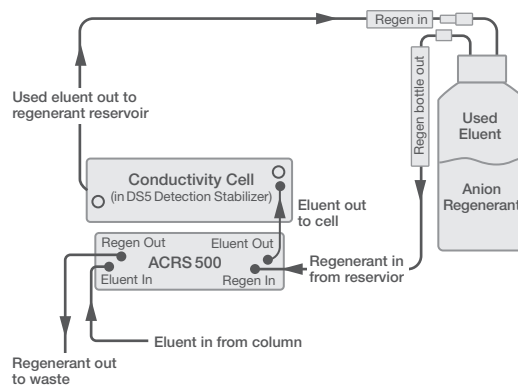
- 1 Conductivity cell
- 2 Suppressor
- 3 Separator column
- 4 Pump heads
- 5 Pressure transducer
- 6 Injection valve
- 7 Tubing chase
- 8 Guard column
- 9 Backpressure tubing



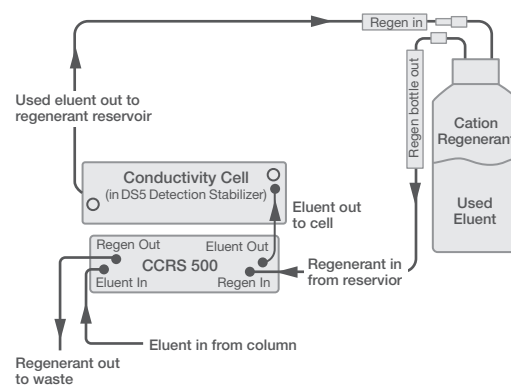
Dionex Easion flow schematic



Dionex Anion displacement chemical regeneration (DCR) flow schematic



Cation DCR flow schematic



For the full user manual, technical specifications and product information visit [thermofisher.com/easion](https://www.thermofisher.com/easion)

ThermoFisher
SCIENTIFIC