

# Nalgene economy beakers

Priced for value. Designed for simplicity.

Get a Thermo Scientific™ Nalgene™ beaker and stay in budget. Economy beakers are made from high-quality laboratory-grade polypropylene copolymer (PPCO) for reliably low extractables and shatter-proof performance at temperatures above  $-40^{\circ}\text{C}$ . Molded-in nominal graduations won't wear off over time. Stable-footed base design and single "no-drip" pour spout enables precision pouring. Beakers nest for compact storage when not in use and are autoclavable for sterile applications.



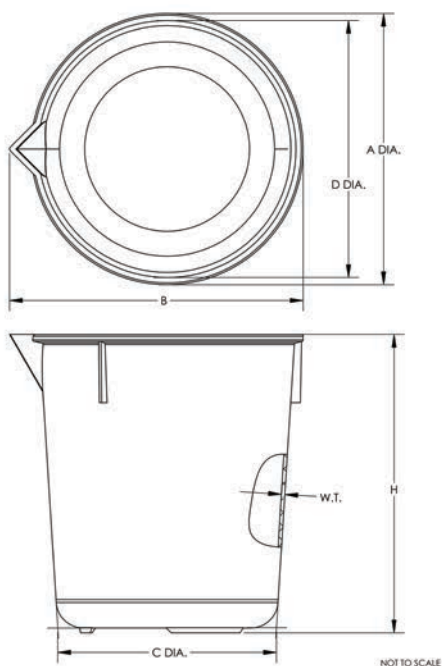
## Applications

- Titrations
- Mixing reagents
- pH and ion-selective electrode (ISE) measurements
- Classroom demonstrations
- Food production



Features	Benefits
Molded-in graduations	<ul style="list-style-type: none"> <li>Simple but effective molded-in graduations won't wear off with time and are easy to manufacture, lowering cost</li> <li>Graduation accuracy is nominal; no compliance claims</li> </ul>
Economical	<ul style="list-style-type: none"> <li>Priced 20–30% less than premium beakers</li> <li>Recommended for educational labs and industrial applications</li> </ul>
Quality materials	<ul style="list-style-type: none"> <li>Made only from high-quality, laboratory-grade, PPCO materials for reliably low extractables</li> <li>Shatterproof when used above –40°C</li> <li>Suitable for food and beverage use.</li> <li>Autoclavable</li> <li>Warning: not for use on hot plates</li> </ul>
Chemical Compatibility	<ul style="list-style-type: none"> <li>PPCO beakers are compatible with a wide range of laboratory chemicals including most acids, bases, alcohols, and many other aqueous solutions</li> <li>For specific chemical compatibility ratings, consult the Thermo Scientific Nalgene Chemical Resistance Reference Guide and Wall Chart</li> </ul>

## Detailed specifications and dimensions



Cat. No.	1205-0050		1205-0100		1205-0150		1205-0250		1205-0400	
Size (nominal volume, mL)	50		100		150		250		400	
Nominal brim capacity (mL)	76		155		226		350		593	
Nominal weight (g)	9		13		26		24		40	
Graduation range (mL)	10–50		10–100		20–150		25–250		50–400	
Graduation increment (mL)	5		10		10		25		25	
	(in)	(mm)	(in)	(mm)	(in)	(mm)	(in)	(mm)	(in)	(mm)
A (lip diameter)	2.00±.05	50.8	2.50±.05	64.5	2.84±.05	72.1	3.30±.05	83.8	3.90±.05	99.0
B (spout diameter)	2.19±.05	55.6	2.77±.05	70.4	3.12±.05	79.2	3.55±.05	90.2	4.20±.05	105.4
C (bottom diameter)	1.62±.05	41.1	2.03±.05	51.6	2.35±.05	59.7	2.70±.05	68.6	3.15±.05	80.0
D (inside diameter)	1.80±.05	45.7	2.27±.05	57.7	2.57±.05	65.3	3.00±.05	76.2	3.54±.05	89.9
H (height)	2.33±.05	59.2	2.89±.05	73.4	3.26±.05	82.8	3.63±.05	92.2	4.43±.05	112.5
WT (nominal wall thickness)	.040	1.02	.040	1.02	.065	1.65	.040	1.02	.075	1.91

Cat. No.	1205-0600		1205-1000		1205-2000		1205-4000	
Size (nominal volume, mL)	600		1000		2000		4000	
Nominal brim capacity (mL)	880		1460		2840		5600	
Nominal weight (g)	52		80		142		239	
Graduation range (mL)	100–600		100–1000		200–2000		500–4000	
Graduation increment (mL)	50		50		100		250	
	(in)	(mm)	(in)	(mm)	(in)	(mm)	(in)	(mm)
A (lip diameter)	4.40±.05	111.8	5.13±.05	130.3	6.32±.05	160.5	7.68±.05	195.0
B (spout diameter)	4.75±.05	120.7	5.38±.05	136.7	6.90±.05	175.3	8.44±.05	214.4
C (bottom diameter)	3.55±.05	90.2	4.24±.05	107.7	5.20±.05	132.1	6.30±.05	160.0
D (inside diameter)	4.02±.05	102.1	4.78±.05	121.4	5.92±.05	150.5	7.30±.05	185.4
H (height)	5.04±.05	128.0	5.95±.05	151.1	7.54±.05	191.5	9.84±.05	250.0
WT (nominal wall thickness)	.050	1.27	.055	1.40	.060	1.53	.065	1.65

Specifications	
Beaker material	PPCO
Graduated	Yes, molded-in
Autoclavable	Yes
Brittleness temperature	–40°C
Maximum-use temperature	121°C
Clarity	Translucent
Suitability for food use	Yes, complies with 21 CFR Part 177.1520
Certifications	None; nominal graduations

Ordering information

Guide for Nalgene economy beakers

Description	Case Qty	Cat. No.
Nalgene Economy Beaker PPCO, 50 mL	12	1205-0050
Nalgene Economy Beaker PPCO, 100 mL	12	1205-0100
Nalgene Economy Beaker PPCO, 150 mL	12	1205-0150
Nalgene Economy Beaker PPCO, 250 mL	6	1205-0250
Nalgene Economy Beaker PPCO, 400 mL	6	1205-0400
Nalgene Economy Beaker PPCO, 600 mL	6	1205-0600
Nalgene Economy Beaker PPCO, 1000 mL	6	1205-1000
Nalgene Economy Beaker PPCO, 2000 mL	6	1205-2000
Nalgene Economy Beaker PPCO, 4000 mL	4	1205-4000

Find out more at [thermofisher.com/beakers](https://thermofisher.com/beakers)