

Ion 550™ Kit – Chef

Catalog Number A34541

Pub. No. MAN0017276 Rev. D.0

Note: For safety and biohazard guidelines, see the “Safety” appendix in the following product documentation: *Ion 550™ Kit – Chef User Guide* (Pub. No. MAN0017275). Read the Safety Data Sheets (SDSs) and follow the handling instructions. Wear appropriate protective eyewear, clothing, and gloves.

- Create a Planned Run 1
- Dilute the libraries 2
- Prepare the consumables 2
- Add the diluted library to the Library Sample Tube 2
- Load the Ion Chef™ System 2
- Start the Ion Chef™ run 6
- Unload the chips for sequencing 7
- When a manual cleaning of the sequencer is required 7
- Initialize the sequencer 7
- Start the sequencing run 8
- Clean the Ion Chef™ Instrument 8
- Limited product warranty 9

Create a Planned Run

IMPORTANT! If you are using the Ion 550™ Kit – Chef with libraries that were prepared using Oncomine™ panels, see the corresponding Oncomine™ Assay User Guide for assay-specific instructions on creating a Planned Run in Torrent Suite™ Software.

For more information on creating a Planned Run in Torrent Suite™ Software, including a complete description of each field in the **Create Plan** workflow bar, see the *Torrent Suite™ Software Help*, available by clicking the **Help** button in the software.

1. Sign in to the Torrent Suite™ Software.
2. In the **Plan** tab, in the **Templates** screen, select the application that you want to run (such as AmpliSeq DNA) from the left navigation menu, then click either **Plan New Run** or **(Actions) ▶ Plan Run** in the row of the specific Planned Run template.
3. In the **Create Plan** workflow bar, review the **IonReporter** and **Research Application** steps, then make selections appropriate to your run. Click **Next**.

4. In the **Kits** step, make the following selections:
 - a. Select **Ion GeneStudio™ S5 System** from the **Instrument** dropdown list.
 - b. Select the Ion 550™ Chip from the **Chip Type** dropdown list.
 - c. Select the library kit used to prepare your libraries from the **Library Kit Type** dropdown list.
 - d. (Optional) For barcoded libraries, select the barcode set used during library preparation from the **Barcode Set** dropdown list.
 - e. Select **IonChef** for **Template Kit**, then select **Ion 550 Kit-Chef** from the **Template Kit** dropdown list.
 - f. Select **Ion S5 Sequencing Kit** from the **Sequencing Kit** dropdown list.
 - g. Enter the appropriate number of flows in the **Flows** field.
 - h. Select or edit the remaining optional information fields appropriately for your run.
 - i. Click **Next**.
5. Review the **Plugins** and **Projects** steps, then make selections appropriate to your run. Click **Next**.
6. In the **Plan** step, enter or make the following selections:
 - a. Enter a Run Plan Name, then select Reference and BED files appropriate to your run.
 - b. Enter the number of barcodes you are using in your combined library in the **Number of barcodes** field, then click to the right of this field. Edit the auto-populated list of barcodes that appears, if needed.
 - c. Scan or enter the barcode of the Ion Chef™ Library Sample Tube into the **Sample Tube Label** field.
 - d. Scan or enter the chip barcode into the **Chip Barcode** field.
 - e. Enter a sample name for each barcode in the appropriate **Sample Name (required)** fields.
7. After you have completed your selections, click **Plan Run** at the bottom right of the **Plan** step screen to save the run.

The run is listed in the **Planned Runs** screen under the name that you specified and is automatically used by the Ion Chef™ System when the associated sample is loaded.

Dilute the libraries

Dilute the individual or combined library with nuclease-free water according to the following table. If performing a dual-chip run, dilute both of the libraries or combined libraries.

Library	Recommended concentration
Ion Total RNA-Seq	50–100 pM
Ion TargetSeq™ Exome	50 pM
Ion AmpliSeq™ Exome RDY	50–100 pM
Ion AmpliSeq™ Transcriptome Human Gene Expression	50–100 pM
Ion AmpliSeq™ Transcriptome Mouse Gene Expression	70 pM
Ion AmpliSeq™ Comprehensive Cancer Panel	50 pM
Oncomine™ cfDNA Assays	50 pM
Human CEPH Control 200 Library ^[1]	Dilute 1 µL into 24 µL nuclease-free water

^[1] Obtained from the Ion S5™ Controls Kit Plus (Cat. No. A30729).

Prepare the consumables

1. Before use, unbox, then remove the Ion 550™ Chef Reagents cartridge from its plastic packaging. Allow the cartridge to warm to room temperature for 45 minutes.

IMPORTANT! The Reagents cartridge must sit at room temperature for at least 45 minutes before use.

2. Remove all cartridges and consumables from their packaging, then place them on the bench next to the Ion Chef™ Instrument.

IMPORTANT! Before use,

- Gently tap the Reagents and Solutions cartridges on the bench to force the reagents to the bottoms of the tubes. If bubbles are present below the surface of the liquid, continue tapping until the bubbles are dislodged.
 - Ensure that liquid in the tubes of the Reagents cartridge is thawed and no floating ice is present.
-

Add the diluted library to the Library Sample Tube

1. Pipet each diluted library or combined library (see “Dilute the libraries” on page 2) to the appropriate Library Sample Tube.
 - For a single-chip run 1 using a new Reagents cartridge, remove the Library Sample Tube from position A, then add 25 µL of the diluted library or combined library. Leave the unused Library Sample Tube in Position B capped and in place during the run.
 - For a single-chip run 2 with a 1X used Reagents cartridge, remove the unused Library Sample Tube from Position B, then add 25 µL of the diluted library or combined library. Load an empty capped 1.5-mL or 1.7-mL microcentrifuge tube into Position B and leave the tube in Position B during the run (see step 6 in “Load the Reagents cartridges—single-chip run” on page 3).

Note: For a single-chip run 2, the Library Sample Tube containing the library will be loaded into Position A, as described in step 5 in “Load the Reagents cartridges—single-chip run” on page 3.
 - For a dual-chip run, remove both Library Sample Tubes (barcoded tubes) from Positions A and B, then pipet 25 µL of each diluted library or combined library into the appropriate Library Sample Tube.

2. Cap and store the Library Sample Tubes on ice until you are ready to load onto the Ion Chef™ Instrument.

Load the Ion Chef™ System

IMPORTANT!

- Rated centrifuge speeds are intended only for operation with the provided buckets and approved consumable chips, tubes, and sample preparation reagents.
 - The Chip-loading centrifuge is rated to operate at the listed rotational frequencies with the chip buckets, chips, and adapters. The centrifuge must be load-balanced. Proper care must be taken to load the buckets properly. If excessive vibrations arise, check that items are installed properly and rotors are load-balanced.
 - Use only the materials supplied in the Ion 550™ Kit – Chef to run the centrifuges at the rated speeds. Do not remove or change the rotors. Inspect the buckets before each use to assure normal operation.
 - Confirm that the instrument is powered on and was cleaned following the last use.
 - Ensure that all components are clean and dry before loading them onto the Ion Chef™ Instrument.
 - Ensure that the Reagents and Solutions station compartments are free of condensate before loading components.
-

Follow the procedures in this section to load the Ion Chef™ Instrument.

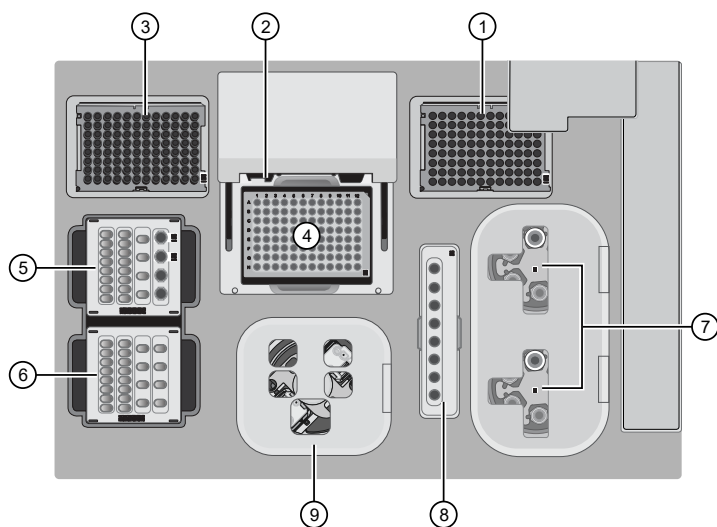



Figure 1 A schematic of a loaded Ion Chef™ Instrument

- | | |
|---|---|
| ① Empty tip rack (move from new Tip Cartridge position) | ⑥ Ion 550™ Chef Solutions cartridge |
| ② Frame Seal v2 | ⑦ Recovery Tubes and Recovery Station Disposable Lid v2 |
| ③ New Tip Cartridge | ⑧ Enrichment Cartridge v2 |
| ④ PCR Plate and PCR Plate Frame | ⑨ Chip Adapter/Chip assemblies |
| ⑤ Ion 550™ Chef Reagents cartridge | |

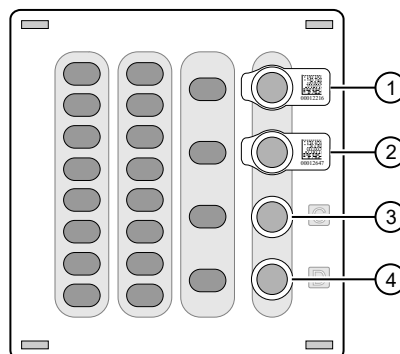
Load the pipette tip racks and PCR Plate

1. Tap  (**Open Door**) in the instrument touchscreen to open the instrument door, then wait for the latch to open.
2. Lift the instrument door to the top of the travel until the latch mechanism engages.
3. Load an empty pipette tip rack in the *Used (Waste) Pipette Tip Position*, then change gloves.
4. Unwrap a new Tip Cartridge v2 and remove the cover to expose the pipette tips, then load it in the *New Pipette Tip Position*. See the figure in step 5.
5. Slide the catch forward to allow the locking bracket to pivot upward. Load the Tip Cartridge v2 into the *New Pipette Tip Position*, pull the bracket downward, then push the catch backward to lock the bracket and cartridge in place.
6. Load a new PCR Plate into the thermal cycler sample block.
7. With the white dot on the PCR Plate Frame facing upward, load the PCR Plate Frame into the thermal cycler sample block pressing down firmly on each corner, then insert a new Frame Seal v2 underneath the automated heated cover. Ensure that the PCR Plate Frame is pressed completely down onto the thermal cycler block and that the PCR Plate Frame sits lower than the PCR Plate.

Load the Reagents cartridges—single-chip run

Use the following procedure if you are performing a single-chip run in an Ion Chef™ Instrument. If you are performing a dual-chip run, see “Load the Reagents cartridge—dual-chip run” on page 3.

1. (*Single-chip run 1 using new Reagents cartridge only*) Label the Ion 550™ Chef Reagents cartridge with date of the run.
2. Gently tap the Reagents cartridge on the bench to force the reagents to the bottoms of the tubes.
3. If bubbles are present below the surface of the liquid, repeat step 2 until the bubbles are dislodged.
4. Load the cartridge into the Reagents station so that it snaps into place and is level on the deck.
5. Uncap, then load the prepared Library Sample Tube (from “Add the diluted library to the Library Sample Tube” on page 2) containing 25 µL of diluted library into Position A on the Reagents cartridge.



- ① Position A (Library)
- ② Position B (Empty Library Sample Tube for a single-chip run 1, or capped 1.5-mL microcentrifuge tube for a single-chip run 2)
- ③ Position C (Empty tube)
- ④ Position D (Empty tube)

The empty tubes in Positions B–D should remain capped during a run.

6. (*Single-chip run 2 using 1X used Reagents cartridge only*) Load an empty capped 1.5-mL or 1.7-mL microcentrifuge tube into Position B.

IMPORTANT! Position B should be filled during the run. The presence of the empty microcentrifuge tube prevents the loss of chilled air from the Reagents station during the run.

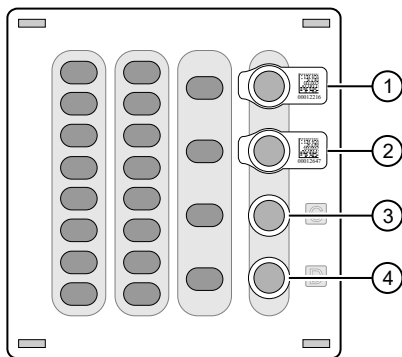
Proceed to “Load the Solutions cartridge” on page 4.

Load the Reagents cartridge—dual-chip run

Use the following procedure if you are performing a dual-chip run in an Ion Chef™ Instrument. See “Load the Reagents cartridges—single-chip run” on page 3 if you are performing a single-chip run.

1. Gently tap the Ion 550™ Chef Reagents cartridge on the bench to force the reagents to the bottoms of the tubes.
2. If bubbles are present below the surface of the liquid, repeat step 1 until the bubbles are dislodged.
3. Load the cartridge into the Reagents station so that it snaps into place and is level on the deck.

- Uncap, then load the two prepared Library Sample Tubes (from “Add the diluted library to the Library Sample Tube” on page 2), each containing 25 μ L of diluted library, into Positions A and B on the Reagents cartridge.



- | | |
|------------------------|---------------------------|
| ① Position A (Library) | ③ Position C (Empty tube) |
| ② Position B (Library) | ④ Position D (Empty tube) |

The empty tubes in Positions C and D can remain capped during a run.

Load the Solutions cartridge

- If the run is a single-chip run 1, label the Ion 550™ Chef Solutions cartridge with date of the run.
- Gently tap the Solutions cartridge on the bench to force the reagents to the bottoms of the tubes.
- Load the Solutions cartridge into the Solutions station until it snaps into place and is level on the deck.

Load the Recovery Tubes and Enrichment Cartridge v2

- Load six Recovery Tubes into each Recovery centrifuge.
- Place a Recovery Station Disposable Lid v2 over each centrifuge by lining up the tab with the depression on the deck, then snap into place. Ensure that the lids snap completely into place by applying firm downward pressure along the lid perimeter.
- Close the hinged cover of the Recovery centrifuges.
- Load the Enrichment Cartridge v2, then press down on the cartridge to ensure that it is level with the instrument deck.

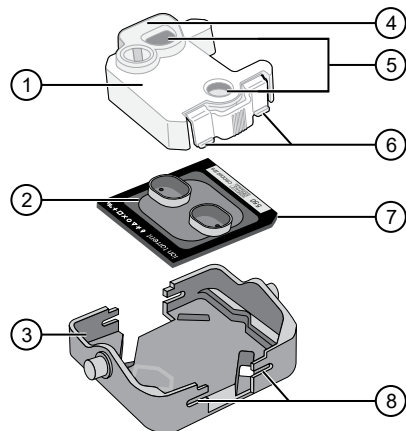
Load the Chip-loading centrifuge—single-chip run

Load the Ion Chef™ S5 Series Chip Balance opposite to the Ion 550™ Chip in the Chip-loading centrifuge for a single-chip Ion Chef™ run. The Ion Chef™ S5 Series Chip Balance is provided in the Ion S5™ Installation Kit.

- Load the sequencing chip into a centrifuge bucket, then attach a Chip Adapter to the assembly.
 - Place the chip in the chip-loading bucket with the keyed corners of the chip and bucket aligned, then align the wells of the Chip Adapter to the wells of the chip, orienting the adapter onto the chip so that the chip barcode is visible.

- Place the adapter onto the chip, then insert the stationary tabs at the reservoir end of the adapter into the slots of the bucket.
- Gently squeeze the flexible tabs at the other end of the adapter into the bucket slots until the adapter locks into place.
- Confirm that the tabs at all four corners of the adapter are fitted into the slots in the centrifuge bucket.

Note: Loading can fail if the adapter is not attached securely.

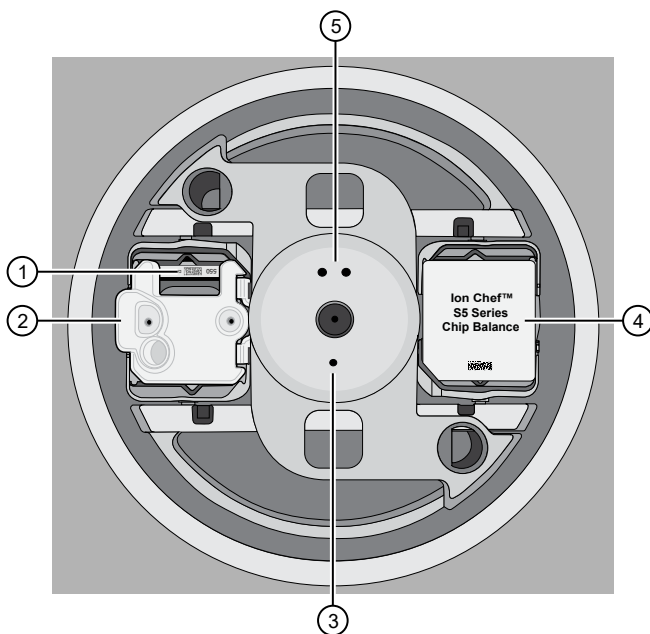


- | | |
|---------------------------------|------------------------------------|
| ① Chip Adapter | ⑤ Ports (align with chip) |
| ② Ion 550™ Chip | ⑥ Flexible tabs |
| ③ Bucket | ⑦ Keyed corner (align with bucket) |
| ④ Reservoir end of Chip Adapter | ⑧ Slots |

- Load the chip in Position 1 and the Ion Chef™ S5 Series Chip Balance in Position 2 of the Chip-loading centrifuge.

IMPORTANT! Do not use Ion Chef™ 314, 316/318, or P-Series versions of the chip balance with the Ion 550™ Chip. Each chip balance is weight-matched to the chip (and corresponding Chip Adapter) specified on the chip balance label.

Note: Position 1 of the Chip-loading centrifuge is the position 90° clockwise from the single hole in the rotor bucket cover at rest.



- ① Chip barcode
- ② Chip position 1 (Ion 550™ Chip/Chip Adapter)
- ③ Position 1 marker hole
- ④ Chip position 2 (Chip Balance)
- ⑤ Position 2 marker holes

The Ion Chef™ Instrument detects the presence of the single chip during Deck Scan before the run starts.

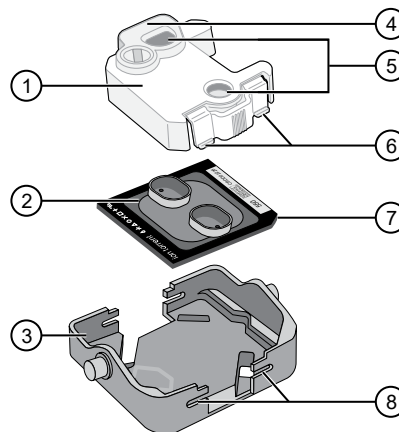
3. Ensure that the centrifuge is load-balanced, and the chip buckets are securely seated and oriented correctly in the centrifuge so that they pivot 90° outwards when touched. Then close the lid of the Chip-loading centrifuge.

Proceed to “Confirm that consumables are correctly installed” on page 6.

Load the Chip-loading centrifuge—dual-chip run

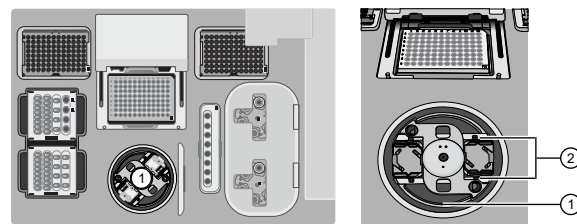
1. Load an Ion 550™ Chip into each centrifuge bucket, then attach a Chip Adapter to each assembly.
 - a. Place the chip in the chip-loading bucket with the keyed corners of the chip and bucket aligned, then align the wells of the Chip Adapter to the wells of the chip, orienting the adapter onto the chip so that the chip barcode is visible.
 - b. Place the adapter onto the chip, then insert the stationary tabs at the reservoir end of the adapter into the slots of the bucket.
 - c. Gently squeeze the flexible tabs at the other end of the adapter into the bucket slots until the adapter locks into place.

- d. Confirm that the tabs at all four corners of the adapter are fitted into the slots in the centrifuge bucket. Loading can fail if the adapter is not attached securely.



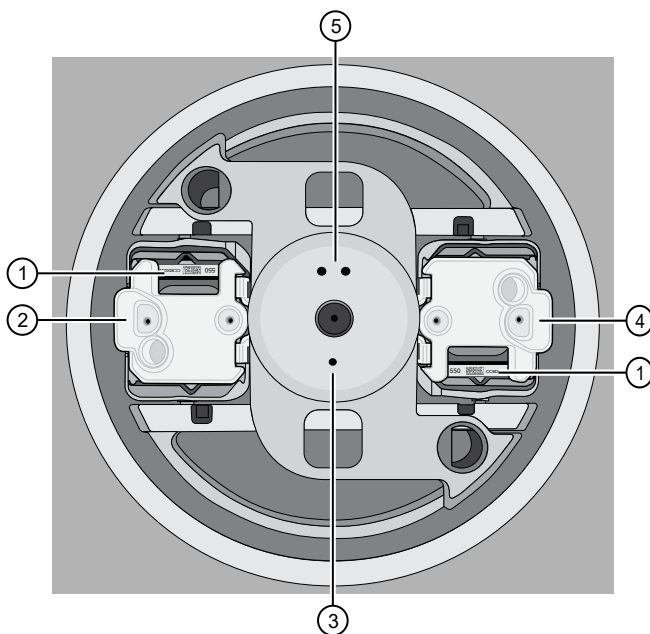
- ① Chip Adapter
- ② Ion 550™ Chip
- ③ Bucket
- ④ Reservoir end of Chip Adapter
- ⑤ Ports (align with chip)
- ⑥ Flexible tabs
- ⑦ Keyed corner (align with bucket)
- ⑧ Slots

2. Load the adapter/chip/bucket assemblies into the Chip-loading centrifuge.



- ① Chip-loading centrifuge
- ② Mounting grooves

IMPORTANT! When the Chip-loading centrifuge is loaded, ensure that each Chip Adapter is firmly attached to a bucket, and that the buckets are securely seated in the centrifuge rotors.



- ① Chip barcode
- ② Chip position 1
- ③ Position 1 marker hole
- ④ Chip position 2
- ⑤ Position 2 marker holes

Note: Position 1 of the Chip-loading centrifuge is the position 90° clockwise from the single hole in the rotor bucket cover at rest. The chip that is loaded in Position 1 is loaded with ISPs prepared from the DNA library in the Library Sample Tube loaded in Position A of the Reagents cartridge. The chip that is loaded in Position 2 of the centrifuge is loaded with ISPs prepared from the DNA library in the Library Sample Tube loaded in Position B of the Reagents cartridge.

3. Ensure that the centrifuge is load-balanced, and the chip buckets are securely seated and oriented correctly in the centrifuge so that they pivot 90° outwards when touched. Then close the lid of the Chip-loading centrifuge.

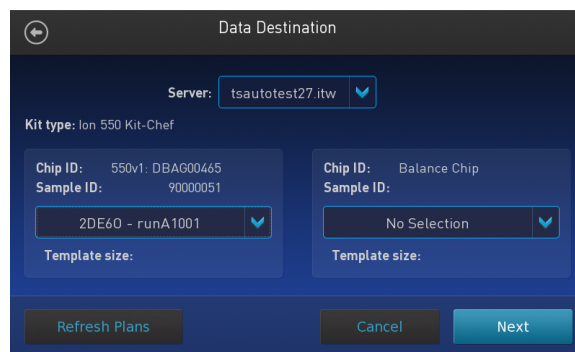
Confirm that consumables are correctly installed

Before continuing:

- Confirm that each cartridge is at the correct location and in the correct orientation.
- Press down on all cartridges to confirm that they are firmly pressed into place.
- Confirm that all tubes in the Ion 550™ Chef Reagents cartridge are firmly pressed into place, and each Library Sample Tube that contains a library is uncapped.
- Confirm that the centrifuge lids are installed correctly so that the port is oriented toward the rear of the instrument.
- Confirm that the tube and chip buckets are seated securely in the rotor arms of the Chip-loading and Recovery centrifuges, and that the consumables they contain are correctly installed.

Start the Ion Chef™ run

1. Ensure that you have loaded the instrument with all kits and consumables.
2. On the instrument home touchscreen, tap **Set up run**.
3. Tap **Step by Step** to have the instrument lead you through the instrument setup, or tap **Quick Start** to skip the instrument setup screens.
4. (*Step by step setup only*) In the **Run Options** screen, tap **Prepare Chip** to select the templating run option.
5. Follow the on-screen instructions. When prompted, close the instrument door by first lifting it slightly to disengage the locking mechanism, then push down on the door until the locks engage.
After the door closes, the instrument vision system activates.
6. When prompted, tap **Start check** to start Deck Scan. Wait while the instrument scans the barcodes of all consumables and reagents to confirm their presence and compatibility.
7. After Deck Scan completes, tap **Next**.
8. In the **Flexible Workflow** screen, confirm the run configuration that the instrument detects based on the consumables that are loaded and the usage status of the scanned Reagents and Solutions cartridges, then tap **Next** to proceed to the **Data Destination** screen.
9. Ensure that the instrument displays the correct kit type, chip type, chip barcodes, and Planned Run. If the correct Planned Run does not display, tap the dropdown list to select the correct Planned Run, then tap **Next**.




10. On the **Run Options** screen, tap the appropriate option to complete the run, then enter the desired time of run completion, if needed.
11. On the **Run Options** screen, tap **Start run** to start the run.
12. Initialize the Ion S5™ XL Sequencer, Ion GeneStudio™ S5 Plus Sequencer, or Ion GeneStudio™ S5 Prime Sequencer at least 50 minutes before the Ion Chef™ Instrument finishes chip loading. See “Initialize the sequencer” on page 7.

13. If you chose to pause the run to analyze the templating efficiency, remove the samples for testing when prompted to do so by the instrument (approximately 14.5 hours after the start of a dual-chip run).
 - a. When prompted to remove the QC sample, open the instrument door.
 - b. Transfer the entire volume of each QC sample from Positions A and B of the Ion 550™ Chef Reagents cartridge on the instrument deck to two new labeled microcentrifuge tubes.
 - c. If you are performing quality assessment of enriched samples, transfer QC samples from positions A and E of the Enrichment Cartridge v2 to two new labeled microcentrifuge tubes.
 - d. Analyze the QC samples. For more information, see "Quality control of Ion 550™ ISPs" in *Appendix B "Supplementary procedures" of the Ion 550™ Kit – Chef User Guide* (Pub. No. MAN0017275).
 - e. Close the instrument door, then tap **Continue** to complete the run.
14. When the run is complete, unload the Ion Chef™ Instrument and sequence the chips as soon as possible. You can collect QC samples from the Reagents and/or Enrichment cartridges if you have not done so already.

IMPORTANT! Liquid may be present in the chip wells after the Ion Chef™ run. Do NOT remove any residual liquid from the wells.

Unload the chips for sequencing

1. Open the instrument door.
 - a. In the instrument touchscreen, tap  (**Open Door**) then wait for the latch to open.
 - b. Lift the instrument door to the top of the travel until the latch mechanism engages.
2. Open the lid of the Chip-loading centrifuge, then unload both adapter/chip/bucket assemblies from the instrument.
3. Unload each chip from the adapter/chip/bucket assembly.
 - a. Apply pressure to both ends of the Chip Adapter, then remove and discard the Chip Adapter.
 - b. Grasp the chip by its edges, carefully lift the chip out of the bucket, then set it aside on a clean, static-free surface. Return the bucket to the Chip-loading centrifuge.
4. Close the instrument door by first lifting it slightly to disengage the locking mechanism, then push down on the door until the locks engage.

5. Load one or both chips into a sequencer, then promptly start the sequencing run.

If you cannot sequence a loaded chip immediately, or plan to sequence two chips per initialization, place the chip into a separate chip storage container and store at 4°C until you are ready to sequence it (up to 24 hours maximum).

IMPORTANT!

- Liquid may be present in chip wells after the Ion Chef™ run. Do NOT remove any residual liquid from the wells.
 - If you choose to store a loaded chip, remove the chip from 4°C storage (but keep it in the storage container) at least 20 minutes before running it, allowing the chip to warm to room temperature.
-

Note: The Ion 550™ Chips are compatible with the Ion S5™ XL System, Ion GeneStudio™ S5 Plus System, and Ion GeneStudio™ S5 Prime System. The Ion 550™ Chips are NOT compatible with the Ion S5™ System or the Ion GeneStudio™ S5 System.

When a manual cleaning of the sequencer is required

The Ion S5™ XL Sequencer, Ion GeneStudio™ S5 Plus Sequencer, and Ion GeneStudio™ S5 Prime Sequencer require that a cleaning be performed before initialization. This is normally performed automatically at the completion of the previous sequencing run. However, if the "Enable post-run clean" checkbox is deselected to allow a second run, and a second run is not performed, the instrument will not allow the subsequent initialization to proceed until a manual cleaning has been performed. For more information on how to perform a manual cleaning, see the *Ion 550™ Kit – Chef User Guide* (Pub. No. MAN0017275).

If the sequencer is initialized and a sequencing run is not started within 24 hours, or a run is not started or completed due to a power failure or an abort, do not perform a manual cleaning. An instrument reset run is required before reinitialization. For more information on how to perform an instrument reset run, see the *Ion 550™ Kit – Chef User Guide*.

Initialize the sequencer

1. In the instrument touchscreen main menu, tap **Initialize**.
The door, chip, and Reagent cartridge clamps unlock.
2. When prompted, remove the Ion S5™ Wash Solution bottle to access the waste reservoir, then remove and empty the waste reservoir.
3. Reinstall the empty waste reservoir.
4. Replace the expended Ion S5™ Sequencing Reagents cartridge with a new cartridge equilibrated to room temperature.
5. Invert a new Ion S5™ Wash Solution bottle 5 times and swirl at an angle to mix thoroughly. Then remove the red cap and install.

6. Ensure that the used sequencing chip from the previous run is properly seated in the chip clamp and the chip clamp is pushed in all the way.
7. If necessary, install a new Ion S5™ Cleaning Solution bottle.
8. Close the door, then tap **Next**.
9. When initialization is complete (~50 minutes), tap **Home**.

The instrument is now ready for a sequencing run.

Start the sequencing run

We recommend that you start a sequencing run as soon as possible after chip loading and instrument initialization are complete. However, successful sequencing runs can be started up to 24 hours after instrument initialization.

1. After completion of initialization, tap **Run** in the instrument touchscreen. The door and chip clamp unlock.
2. Remove the used sequencing chip, then secure a chip loaded with template-positive Ion Sphere™ Particles in the chip clamp.
3. Push the chip clamp all the way in to engage, close the instrument door, then tap **Next**.
4. Confirm that the correct Planned Run has auto-populated. If this run is the first of two sequencing runs on this initialization, **deselect** the **Enable post-run clean** checkbox, then tap **Review**.

IMPORTANT!

- Failure to deselect the checkbox results in a cleaning performed automatically after the first run. A second run is not available.
 - When starting the second sequencing run on a single initialization, ensure that the **Enable post-run clean** checkbox is selected so that the post-run cleaning is performed automatically.
-

5. Confirm that the remaining pre-populated settings are correct, or tap **Edit** to make changes if needed.
6. Confirm that the instrument door is closed, then tap **Start run** to begin the sequencing run.

IMPORTANT! During a run, do not open the instrument door, and avoid touching the instrument. Touching the instrument during the sequencing run can reduce the quality of the measurements.


When the sequencing run is complete, the instrument automatically performs the cleaning procedure unless the **Enable post-run clean** checkbox was deselected. After cleaning, the touchscreen returns to the main menu. Use Torrent Suite™ Software to review the results.

If you are sequencing a second chip on a single initialization, start the second run within 24 hours of start of initialization.

Clean the Ion Chef™ Instrument

IMPORTANT! Clean the Ion Chef™ Instrument after every run. To prevent contamination, do not operate the instrument unless it has been recently cleaned.

Remove used consumables

1. Tap  (Open Door) in the instrument touchscreen, then wait for the latch to open.
2. Lift the instrument door to the top of the travel until the latch mechanism engages.
3. Remove, then discard the PCR Plate with the PCR Plate Frame and Frame Seal v2 from the thermal cycler sample block in unison.

IMPORTANT! Do not attempt to separate the PCR Plate Frame from the PCR Plate and Frame Seal v2, as this may cause PCR product to splash and contaminate the instrument deck.

4. Remove, then discard the box of used pipette tips from the waste tip position.
5. Move the empty Tip Cartridge to the waste tip position.
6. Remove and discard, or remove and store the cartridges for a second run:
 - If the Ion Chef™ run was a single-chip run 1, remove and **store** the
 - Ion 550™ Chef Reagents cartridge at 4°C for up to eight days
 - Ion 550™ Chef Solutions cartridge at room temperature for up to eight days
 Remove and discard the Enrichment Cartridge v2.
 - If the Ion Chef™ run was a single-chip run 2, or a dual-chip run, remove, then **discard** the
 - Ion 550™ Chef Reagents cartridge
 - Ion 550™ Chef Solutions cartridge
 - Enrichment Cartridge v2

7. Remove, then discard the consumables from the Recovery centrifuges, including the:
 - Recovery Station Disposable Lid v2
 - Recovery Tube v2
8. Close the Chip-loading centrifuge cover.

Inspect and clean the Recovery centrifuges and buckets

1. Inspect the Recovery centrifuge for residue. If excessive liquid is present, clean the centrifuge bowl and buckets as described in the *Ion 550™ Kit – Chef User Guide* (Pub. No. MAN0017275).
2. Close the Recovery centrifuge cover.

Start the cleaning

1. Close the instrument door by first lifting it up slightly to disengage the locking mechanism, then pushing down on the door until the locks engage.
2. To start the cleaning, tap **Next** on the Ion Chef™ Instrument touchscreen that appears after run completion.
3. Confirm that you have removed all consumables from the Ion Chef™ Instrument, except the empty pipette tip rack in the waste tip position, then tap **Next**.

4. With the door closed, tap **Start**. The instrument performs a Deck Scan before starting the cleaning routine. The Ion Chef™ Instrument stops ventilation, then illuminates the ultraviolet (UV) light in the instrument for ~1 minute.



CAUTION! The Ion Chef™ Instrument emits UV light at 254 nm. Wear appropriate eye wear, protective clothing, and gloves when working near the instrument. Do not look directly at the UV light while it is illuminated during the cleaning routine.

Limited product warranty

Life Technologies Corporation and/or its affiliate(s) warrant their products as set forth in the Life Technologies' General Terms and Conditions of Sale at www.thermofisher.com/us/en/home/global/terms-and-conditions.html. If you have any questions, please contact Life Technologies at www.thermofisher.com/support.



Life Technologies Corporation | 5781 Van Allen Way | Carlsbad, California 92008 USA

For descriptions of symbols on product labels or product documents, go to thermofisher.com/symbols-definition.

Revision history: Pub. No. MAN0017276 D.0

Revision	Date	Description
D.0	16 August 2023	<ul style="list-style-type: none">• Updated instructions to include loading the PCR Plate Frame. See "Load the pipette tip racks and PCR Plate" on page 3.• Updated instructions to include removing the PCR Plate Frame. See "Remove used consumables" on page 8.
C.0	25 June 2019	<ul style="list-style-type: none">• Updated for Torrent Suite™ Software 5.12.• In #unique_9/unique_9_Connect_42_GUID-0796DC72-2287-4303-9088-69174E8FD149, added clarification for setting up a 1X used Reagents cartridge for a single-chip run 2.• In #unique_18/unique_18_Connect_42_GUID-E74F0807-43F8-4052-838A-9877E2CB4BE8, added a guideline to keep empty tubes in Positions B–D empty during a run.• In #unique_20/unique_20_Connect_42_GUID-E74F0807-43F8-4052-838A-9877E2CB4BE8, added a guideline to keep empty tubes in Positions C and D capped during a run.• Updated #unique_11/unique_11_Connect_42_GUID-9341033B-85D6-4411-A7D1-B0C72946C8EE to include the Run Options screen for step-by-step Ion Chef™ run setup.• Updated the guidance for storing loaded chips before sequencing in #unique_12/unique_12_Connect_42_GUID-60C0B2D9-B171-4895-8AE0-D7204463C856.• Added a note in #unique_11/unique_11_Connect_42_GUID-9341033B-85D6-4411-A7D1-B0C72946C8EE and #unique_12/unique_12_Connect_42_GUID-60C0B2D9-B171-4895-8AE0-D7204463C856 to NOT remove any residual liquid from chip wells after the Ion Chef™ run.
B.0	5 December 2018	<ul style="list-style-type: none">• Updated to include use with the Ion S5™ XL System Ion GeneStudio™ S5 Systems.• Clarification made to dilute barcoded library pools, if used.• Updated for Torrent Suite™ Software 5.10; Planned Run creation topics reorganized for ease of use.• Ion S5™ Controls Kit replaced with Ion S5™ Controls Kit Plus.• Updated reference to ISP quality control procedure .
A.0	5 January 2018	New quick reference for use with the Ion 550™ Kit – Chef, the Ion Chef™ System, and the Ion GeneStudio™ S5 Plus or Ion GeneStudio™ S5 Prime System.

The information in this guide is subject to change without notice.

DISCLAIMER: TO THE EXTENT ALLOWED BY LAW, THERMO FISHER SCIENTIFIC INC. AND/OR ITS AFFILIATE(S) WILL NOT BE LIABLE FOR SPECIAL, INCIDENTAL, INDIRECT, PUNITIVE, MULTIPLE, OR CONSEQUENTIAL DAMAGES IN CONNECTION WITH OR ARISING FROM THIS DOCUMENT, INCLUDING YOUR USE OF IT.

Important Licensing Information: This product may be covered by one or more Limited Use Label Licenses. By use of this product, you accept the terms and conditions of all applicable Limited Use Label Licenses.

©2018-2023 Thermo Fisher Scientific Inc. All rights reserved. All trademarks are the property of Thermo Fisher Scientific and its subsidiaries unless otherwise specified. Agilent and Bioanalyzer are trademarks of Agilent Technologies, Inc.